

STIHL

STIHL RMA 460

**Instruction Manual
Notice d'emploi
Manual de instrucciones
Manual de instruções de serviços**



GB Instruction Manual
1 - 28

F Notice d'emploi
29 - 57

E Manual de instrucciones
58 - 86

BR Manual de instruções de serviços
87 - 115

Contents

1	Introduction	2	8.2	Folding the Handlebar	17
2	Guide to Using this Manual	2	9	Inserting and Removing the Activation Key	18
2.1	Applicable Documents	2	9.1	Inserting the Activation Key	18
2.2	Warning Notices in Text	3	9.2	Removing the Activation Key	18
2.3	Symbols in Text	3	10	Removing and Fitting the Battery	18
3	Overview	3	10.1	Fitting the Battery	18
3.1	Lawn Mower and Battery	3	10.2	Removing the Battery	19
3.2	Symbols	4	11	Switching the Lawn Mower On and Off	19
4	Safety Precautions	5	11.1	Switching the Lawn Mower On	19
4.1	Warning Symbols	5	11.2	Switching the Lawn Mower Off	19
4.2	Intended Use	6	12	Checking the Lawn Mower and Battery	19
4.3	The Operator	6	12.1	Checking the Controls	19
4.4	Clothing and Equipment	7	12.2	Checking the Blade	20
4.5	Work Area and Surroundings	7	12.3	Testing the Battery	20
4.6	Safe Condition	8	13	Operating the Lawn Mower	20
4.7	Working	10	13.1	Holding and Controlling the Mower	20
4.8	Transporting	11	13.2	Setting the Cutting Height	21
4.9	Storing	11	13.3	Switching on ECO Mode	21
4.10	Cleaning, Maintenance and Repair	12	13.4	Mowing and Mulching	21
5	Preparing the Lawn Mower for Operation	13	14	After Finishing Work	22
5.1	Preparing the Lawn Mower for Operation	13	14.1	After Finishing Work	22
6	Charging the Battery, LEDs	13	15	Transporting	22
6.1	Charging the Battery	13	15.1	Transporting the Lawn Mower	22
6.2	State of Charge	13	15.2	Transporting the Battery	22
6.3	LEDs on Battery	13	16	Storing	23
7	Assembling the Lawn Mower	14	16.1	Storing the Lawn Mower	23
7.1	Attaching the Handlebar	14	16.2	Storing the Battery	23
7.2	Fitting and Removing the Grass Box	14	17	Cleaning	23
7.3	Fitting and Removing the Mulch Plug	14	17.1	Standing the Mower on End	23
7.4	Fitting and Removing the Chute	15	17.2	Cleaning the Lawn Mower	23
7.5	Fitting and Removing the Blade	16	17.3	Cleaning the Battery	24
8	Adjusting the Lawn Mower for the User	16	18	Maintenance	24
8.1	Folding Up and Adjusting the Handlebar	16	18.1	Sharpening and Balancing the Blade	24

STIHL

This instruction manual is protected by copyright. All rights reserved, especially the rights to reproduce, translate and process with electronic systems.

19 Repairing	24
19.1 Repairing the Mower and Battery	24
20 Troubleshooting	25
20.1 Remediating Lawn Mower or Battery Faults	25
21 Specifications	27
21.1 STIHL RMA 460 Lawn Mower	27
21.2 Blade	27
21.3 STIHL AK Battery	27
21.4 Temperature Limits	27
21.5 Recommended Temperature Ranges	27
21.6 Normative Information	27
21.7 REACH	28
22 Spare Parts and Accessories	28
22.1 Spare parts and accessories	28
23 Disposal	28
23.1 Disposing of Mower and Battery	28

1 Introduction

Dear Customer,

Thank you for choosing STIHL. We develop and manufacture our quality products to meet our customers' requirements. The products are designed for reliability even under extreme conditions.

STIHL also stands for premium service quality. Our dealers guarantee competent advice and instruction as well as comprehensive service support.

STIHL expressly commit themselves to a sustainable and responsible handling of natural resources. This user manual is intended to help you use your STIHL product safely and in an environmentally friendly manner over a long service life.

We thank you for your confidence in us and hope you will enjoy working with your STIHL product.



Dr. Nikolas Stihl

IMPORTANT! READ BEFORE USING AND KEEP IN A SAFE PLACE FOR REFERENCE.

2 Guide to Using this Manual

2.1 Applicable Documents

Local safety regulations apply.

- ▶ In addition to this instruction manual, read, understand and keep the following documents:
 - STIHL AK battery safety information
 - Instruction manual for the STIHL AL 101, 301, 500 chargers

- Safety information for STIHL batteries and products with built-in battery: www.stihl.com/safety-data-sheets

2.2 Warning Notices in Text

! DANGER

This notice refers to risks which result in serious or fatal injury.

- ▶ Serious or fatal injuries can be avoided by taking the precautions mentioned.

! WARNING

This notice refers to risks which **can** result in serious or fatal injury.

- ▶ Serious or fatal injuries can be avoided by taking the precautions mentioned.

NOTICE

This notice refers to risks which can result in damage to property.

- ▶ Damage to property can be avoided by taking the precautions mentioned.

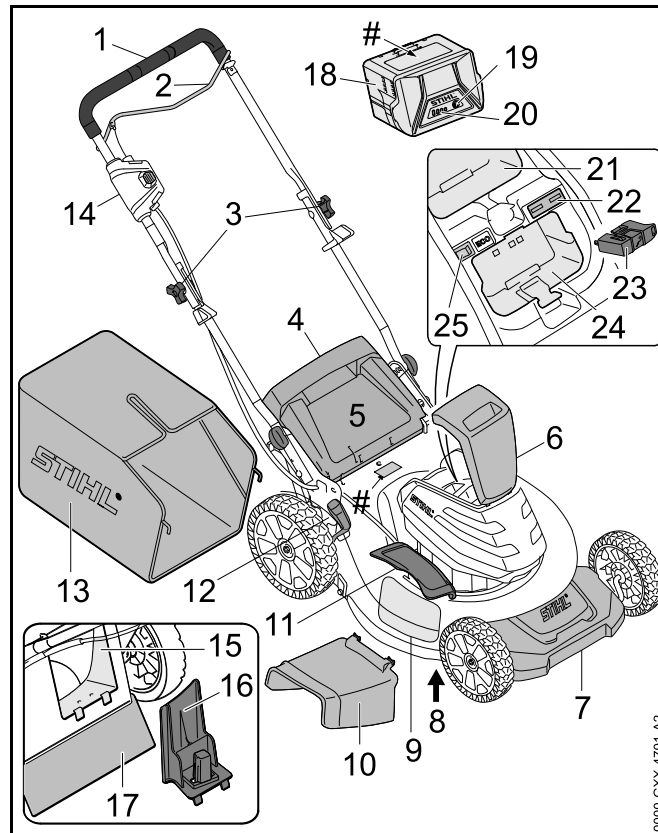
2.3 Symbols in Text



This symbol refers to a chapter in this instruction manual.

3 Overview

3.1 Lawn Mower and Battery



1 Handlebar

The handlebar is used to hold, guide and transport the lawn mower.

2 Control bar

The control bar switches the lawn mower on and off together with the locking button.

3 Star grip nut

The star grip nut clamps the upper handlebar to the lower handlebar.

4 Discharge flap

The discharge flap closes off the discharge chute.

5 Lever

The lever blocks adjustment of the handlebar.

6 Flap

The flap covers the battery, the ECO switch and the activation key and protects from soiling.

7 Cover

The cover provides protection and is used to transport the lawn mower.

8 Blade

The blade mows and mulches the grass.

9 Side discharge chute

The side discharge chute directs the mown grass to the side.

10 Guide

The guide directs the mown grass to the ground.

11 Side discharge flap

The side discharge flap closes off the side discharge chute.

12 Lever

The lever is used to set the cutting height.

13 Grass catcher box

The grass catcher box collects the mown grass.

14 Locking button

The locking button switches the lawn mower on and off together with the control bar.

15 Discharge chute

The discharge chute directs the mown grass into the grass catcher box.

16 Mulch insert

The mulch insert closes off the discharge chute.

17 Guard

The guard protects the user from high-velocity objects and from contact with the blade.

18 Battery

The battery supplies the lawn mower with power.

19 Button

The button activates the LEDs on the battery.

20 LEDs

The LEDs indicate the battery charge state and faults.

21 Battery compartment

The battery compartment holds a replacement battery.

22 Key receptacle

The key receptacle holds the activation key.

23 Activation key

The activation key activates the lawn mower.

24 Battery compartment

The battery compartment holds the battery.

25 ECO switch

The ECO switch activates and deactivates ECO mode.

Rating plate with machine number**3.2 Symbols**

The symbols can be on the lawn mower or battery and have the following meaning:



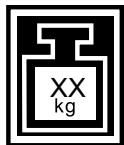
This symbol identifies the activation key.



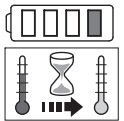
This symbol identifies the key receptacle.



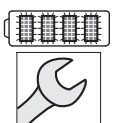
This symbol identifies the ECO switch.



This symbol indicates the lawn mower weight.



1 LED illuminates red. The battery is too warm or too cold.



4 LEDs flashing red. There is a fault in the battery.



The LED illuminates green and the LEDs on the battery illuminate or flash green. The battery is charging.



The LED flashes red. There is no electrical contact between the battery and the charger, or there is a fault in the battery or in the charger.



LWA Guaranteed sound power level in accordance with Directive 2000/14/EC in dB(A) for the purpose of comparing the sound emissions of products.



The number beside the symbol indicates the energy content of the battery according to the cell manufacturer's specifications. The available energy content is lower in practice.



Do not dispose of the product with domestic waste.

4 Safety Precautions

4.1 Warning Symbols

The warning symbols on the lawn mower or battery have the following meaning:



Follow the safety instructions and their measures.



Read, understand and keep the instruction manual.



Wear safety glasses.



Observe the safety instructions on objects expelled at high speed by the lawn mower and their measures.



Do not touch a turning blade.



Remove the battery during work stoppages, transport, storage, maintenance or repair.



Pull out the activation key during work stoppages, transport, storage, maintenance or repair.



Maintain a safety distance.



Protect the battery from heat and fire.



Protect the lawn mower and battery from rain and moisture. Do not immerse in liquids.

4.2 Intended Use

The STIHL RMA 460 mower is designed for mowing and mulching dry grass.

The must not be used in the rain.

A STIHL AK battery supplies the mower with power.

⚠ WARNING

- Batteries not explicitly approved for the mower by STIHL may cause a fire or explosion. This can result in serious or fatal injuries and damage to property.
 - ▶ Use the mower with a STIHL AK battery.
- Using the mower or the battery for purposes for which they were not designed may result in serious or fatal injuries and damage to property.
 - ▶ Use the mower and battery as described in this instruction manual.

4.3 The Operator

⚠ WARNING

- Users without adequate training or instruction cannot recognize or assess the risks involved in using the mower and battery. The user or other persons may sustain serious or fatal injuries.



- ▶ Read, understand and save the instruction manual.

- ▶ If you pass the mower or battery on to another person: Always give them the instruction manual.
- ▶ Make sure the user meets the following requirements:
 - The user must be rested.
 - The user must be in good physical condition and mental health to operate and work with the mower and battery. If the user's physical, sensory or mental ability is restricted, he or she may work only under the supervision of or as instructed by a responsible person.
 - The user is able to recognize and assess the risks involved in using the mower and battery.
 - The user must be of legal age or is being trained in a trade under supervision in accordance with national rules and regulations.
 - The user has received instruction from a STIHL servicing dealer or other experienced user before working with the mower for the first time.
 - The user must not be under the influence of alcohol, medication or drugs.
- ▶ If you have any queries: Contact a STIHL servicing dealer for assistance.

4.4 Clothing and Equipment

⚠ WARNING

- Objects may be thrown up at high velocity while working. This may result in injury to the user.
 - ▶ Wear long trousers made from resistant material.
- Dust may be stirred up while working. Breathing in dust may be harmful to health and cause allergic reactions.
 - ▶ If dust is stirred up: wear a dust mask.
- Unsuitable clothing may get caught on wood, briars and in the lawn mower. This may result in serious injury to the user.
 - ▶ Wear close-fitting clothing.
 - ▶ Remove scarves and jewellery.
- The user may come into contact with the blade during cleaning, maintenance or transport. This may result in injury to the user.
 - ▶ Wear protective gloves.
- Wearing unsuitable footwear may cause the user to slip. This may result in injury to the user.
 - ▶ Wear sturdy, closed-toed footwear with high-grip soles.
- Material particles may be expelled when sharpening the blade. This may result in injury to the user.
 - ▶ Wear close-fitting safety glasses. Suitable safety glasses are tested in accordance with EN 166 or national regulations and available commercially with the corresponding marking.
 - ▶ Wear protective gloves.

4.5 Work Area and Surroundings

4.5.1 Lawn Mower

⚠ WARNING

- Bystanding people, children and animals cannot recognise or evaluate the dangers posed by the lawn mower and objects expelled at high speed by the mower. This may result in serious injury to bystanding people, children and animals and damage to property.



- ▶ Keep bystanding people, children and animals outside a radius of 15 m around the working area.
- ▶ Maintain a distance of 15 m from objects.
- ▶ Do not leave the lawn mower unattended.
- ▶ Make sure that children cannot play with the lawn mower.
- Working in the rain may cause the user to slip. This may result in serious or fatal injury to the user.
 - ▶ Do not work when it is raining.
- The lawn mower is not waterproof. Working in the rain or in a damp environment may result in electric shock. This may result in injury to the user and damage to the lawn mower.
 - ▶ Do not work in the rain or in a damp environment.
 - ▶ Do not mow and mulch wet grass.



- Electrical components of the lawn mower may produce sparks. Sparks may cause fires and explosions in highly flammable or explosive environments. This may result in serious or fatal injury to people and damage to property.
 - ▶ Do not work in a highly flammable or explosive environment.


4.5.2 Battery

⚠ WARNING

- Bystanders, children and animals cannot recognize or assess the dangers of the battery. Bystanders, children and animals may be seriously injured.
 - ▶ Keep bystanders, children and animals away from the work area.
 - ▶ Do not leave the battery unattended.
 - ▶ Make sure that children cannot play with the battery.
- The battery is not protected against all ambient conditions. If the battery is exposed to certain ambient conditions, the battery may catch fire, explode or be irreparably damaged. This may result in serious injury to people and damage to property.



- ▶ Protect battery from heat and fire.
- ▶ Do not throw the battery into a fire.

- ▶ Do not charge, use and store the battery outside of the specified temperature limits,  21.4.



- ▶ Protect the battery from rain and moisture and do not immerse it in liquids.

- ▶ Keep battery away from small metal parts.
- ▶ Do not expose the battery to high pressure.
- ▶ Do not expose the battery to microwaves.
- ▶ Protect the battery from chemicals and salts.

4.6 Safe Condition

4.6.1 Lawn Mower

The lawn mower is in safe condition when the following conditions are met:

- The lawn mower is free from damage.
- The lawn mower is clean and dry.
- The controls are working and have not been modified.
- If mowing and the mown grass is to be collected in the grass catcher box: the mulch insert is removed, the guide is detached and the grass catcher box is correctly attached.
- If mowing and the mown grass is to be ejected to the side: the grass catcher box is detached, the mulch insert is correctly inserted and the guide is correctly attached.
- If mulching: the guide and grass catcher box are detached and the mulch insert is correctly inserted.
- The blade is correctly attached.
- The guard is correctly attached.
- Genuine STIHL accessories for this lawn mower are attached.
- The accessories are correctly attached.



⚠ WARNING

- If not in safe condition, components may no longer operate correctly and safety devices may be disabled. This may result in serious or fatal injury to people.
 - ▶ Do not use a damaged lawn mower.
 - ▶ If the lawn mower is dirty or wet: clean the lawn mower and allow it to dry.
 - ▶ Do not modify the lawn mower.
 - ▶ If the controls are not working: do not use the lawn mower.
 - ▶ If mowing and the mown grass is to be collected in the grass catcher box: remove the mulch insert, detach the guide and attach the grass catcher box as described in this instruction manual.
 - ▶ If mowing and the mown grass is to be ejected to the side: detach the grass catcher box, insert the mulch insert and attach the guide as described in this instruction manual.

- ▶ If mulching: detach the guide and grass catcher box and insert the mulch insert as described in this instruction manual.
- ▶ Attach genuine STIHL accessories for this lawn mower.
- ▶ Attach the blade as described in this instruction manual.
- ▶ Attach accessories as described in this instruction manual or in the instruction manual for the accessories.
- ▶ Do not insert objects into the apertures in the lawn mower.
- ▶ Never connect the key receptacle terminals to metallic objects and cause a short circuit.
- ▶ Replace worn or damaged warning signs.
- ▶ If anything is unclear: consult a STIHL specialist dealer.

4.6.2 Blade

The blade is in safe condition when the following conditions are met:

- The blade and attachments are undamaged.
- The blade is not deformed.
- The blade is correctly attached.
- The blade is correctly sharpened.
- The blade is burr-free.
- The blade is correctly balanced.
- The minimum thickness and minimum width of the blade are not fallen below,  21.2.
- The sharpening angle is observed,  21.2.

WARNING

- In unsafe condition, blade parts may come loose and be expelled. This may result in serious injury to people.
 - ▶ Use an undamaged blade and attachments.
 - ▶ Attach the blade correctly.
 - ▶ Sharpen the blade correctly.


- ▶ If the minimum thickness or minimum width is fallen below: replace the blade.
- ▶ Have the blade balanced by a STIHL specialist dealer.
- ▶ If anything is unclear: consult a STIHL specialist dealer.

4.6.3 Battery

The battery is in a safe condition if the following points are observed:

- Battery is undamaged.
- The battery is clean and dry.
- Battery functions properly and has not been modified.

WARNING

- A battery that is not in a safe condition cannot operate safely. Persons may be seriously injured.
 - ▶ Never work with a damaged battery.
 - ▶ Never attempt to charge a damaged or defective battery.
 - ▶ If the battery is dirty: Clean the battery.
 - ▶ If the battery is wet or damp: Allow the battery to dry,  21.5.
 - ▶ Never attempt to modify the battery.
 - ▶ Never insert objects in the battery's openings.
 - ▶ Never bridge the battery's contacts with metallic objects (short circuit).
 - ▶ Do not open the battery.
 - ▶ Replace worn or damaged labels.
- Fluid may leak from a damaged battery. If that liquid comes into contact with the skin or eyes, the skin or eyes may be irritated.
 - ▶ Avoid contact with the liquid.
 - ▶ If skin contact occurs: Wash affected areas of skin with plenty of water and soap.
 - ▶ In the event of contact with eyes: Rinse eyes with plenty of water for at least 15 minutes and consult a doctor.

- A damaged or defective battery may smell unusual, emit smoke or burn. Persons may be seriously or fatally injured, and property may be damaged.
 - ▶ If the battery smells unusual or emits smoke: do not use the battery and keep it away from combustible substances.
 - ▶ If the battery catches fire: Attempt to extinguish the battery with a fire extinguisher or water.

4.7 Working

⚠ WARNING

- In certain situations, the user may no longer be able to concentrate on their work. This may result in the user stumbling, falling and becoming seriously injured.
 - ▶ Work calmly and carefully.
 - ▶ If the light and visibility conditions are poor: do not use the lawn mower.
 - ▶ Operate the lawn mower alone.
 - ▶ Watch out for obstacles.
 - ▶ Work standing on the ground and maintain balance.
 - ▶ If signs of fatigue occur: take a break.
 - ▶ If mowing on a slope: mow across the slope.
 - ▶ Do not work on slopes with an inclination greater than 25° (46.6%).
- The turning blade may cut the user. This may result in serious injury to the user.



- ▶ Do not touch a turning blade.
- ▶ If the blade is blocked by an object: switch the lawn mower off, pull out the activation key and remove the battery. Only then remove the object.



- If the lawn mower changes or starts to behave differently when working, it may not be in safe condition. This may result in serious injury to people and damage to property.
 - ▶ Stop working, pull out the activation key, remove the battery and consult a STIHL specialist dealer.
- The lawn mower may cause vibrations when working.
 - ▶ Wear protective gloves.
 - ▶ Take breaks.
 - ▶ If signs of a circulatory disturbance occur: consult a doctor.
- When the control bar is released, the blade continues to turn for a short time. This may result in serious injury to people.
 - ▶ Wait until the blade is no longer turning.
- Sparks may be produced if the turning blade hits a hard object. Sparks may cause fires in highly flammable environments. This may result in serious or fatal injury to people and damage to property.
 - ▶ Do not work in a highly flammable environment.
- If the lawn mower is stopped on a sloping surface, it may unintentionally roll away. This may result in injury to people and damage to property.
 - ▶ Only let go of the lawn mower if it is on a level surface and cannot roll away by itself.
- If objects are attached to the handlebar, the additional weight may cause the lawn mower to tip over. This may result in injury to people and damage to property.
 - ▶ Do not attach objects to the handlebar.

⚠ DANGER

- If working near live wires, the blade may come into contact with the live wires and damage them. This may result in serious or fatal injury to the user.
 - ▶ Do not work near live wires.
- The user may be struck by lightning if working during a thunderstorm. This may result in serious or fatal injury to the user.
 - ▶ Do not work during thunderstorms.

4.8 Transporting

4.8.1 Lawn Mower

⚠ WARNING

- The lawn mower may tip over or move during transport. This may result in injury to people and damage to property.



- ▶ Pull out the activation key.



- ▶ Remove the battery.

- ▶ Secure the lawn mower with lashing straps, belts or a net so it cannot tip over and move.
- The lawn mower is heavy. Attempting to carry the lawn mower without assistance may result in injury to the user.
 - ▶ The lawn mower must be carried by two people.

4.8.2 Battery

⚠ WARNING

- The battery is not protected against all ambient conditions. The battery may be damaged if it is exposed to certain ambient conditions, and damage to property may occur.
 - ▶ Never transport a damaged battery.
- The battery may turn over or shift during transport. This may result in injury to people and damage to property.
 - ▶ Pack the battery in packaging in such a way that it cannot move.
 - ▶ Secure the packaging so that it cannot move.

4.9 Storing

4.9.1 Lawn Mower

⚠ WARNING

- Children cannot recognise or evaluate the dangers posed by the lawn mower. There is a risk of serious injury to children.



- ▶ Pull out the activation key.



- ▶ Remove the battery.

- ▶ Keep the lawn mower out of reach of children.
- Moisture may cause corrosion to the electric contacts on the lawn mower and metal components. This may result in damage to the lawn mower.



- ▶ Pull out the activation key.



- ▶ Remove the battery.

- ▶ Keep the lawn mower clean and dry.

4.9.2 Battery

⚠ WARNING

- Children cannot recognise or evaluate the dangers posed by batteries. There is a risk of serious injury to children.
 - ▶ Keep the battery out of reach of children.
- The battery is not protected against all ambient conditions. If exposed to certain ambient conditions, the battery may be irreparably damaged.
 - ▶ Keep the battery clean and dry.
 - ▶ Store the battery in an enclosed space.
 - ▶ Store the battery separately from the lawn mower.
 - ▶ If the battery is stored in the charger: disconnect the mains plug and store the battery at a charge state between 40% and 60% (2 LEDs illuminated green).
 - ▶ Do not store the battery outside the specified temperature limits, 21.4.

4.10 Cleaning, Maintenance and Repair

⚠ WARNING

- If the activation key and battery are inserted during cleaning, maintenance or repair, the lawn mower may unintentionally be switched on. This may result in serious injury to people and damage to property.



- ▶ Pull out the activation key.



- ▶ Remove the battery.

- Abrasive cleaning agents, sharp objects or using a jet of water for cleaning may result in damage to the lawn mower, blade and battery. If the lawn mower, blade and battery are not cleaned correctly, components may no longer operate correctly and safety devices may be disabled. This may result in serious injury to people.
 - ▶ Clean the lawn mower, blade and battery as described in this instruction manual.
- If the lawn mower, blade or battery are not maintained or repaired correctly, components may no longer operate correctly and safety devices may be disabled. This may result in serious or fatal injury to people.
 - ▶ Do not maintain or repair the lawn mower or battery yourself.
 - ▶ If the lawn mower or battery need to be maintained or repaired: consult a STIHL specialist dealer.
 - ▶ Maintain the blade as described in this instruction manual.
- The user may cut themselves on sharp cutting edges during blade cleaning, maintenance or repair. This may result in injury to the user.
 - ▶ Wear work gloves made from resistant material.
- The blade may become hot during sharpening. This may result in the user burning themselves.
 - ▶ Wait until the blade has cooled down.
 - ▶ Wear work gloves made from resistant material.

5 Preparing the Lawn Mower for Operation

5.1 Preparing the Lawn Mower for Operation

The following steps must be performed before commencing work:

- ▶ Remove packaging material and transport locks.
- ▶ Make sure that the following components are in safe condition:
 - Lawn mower, 4.6.1.
 - Blade, 4.6.2.
 - Battery, 4.6.3.
- ▶ Check the battery, 12.3.
- ▶ Fully charge the battery, 6.1.
- ▶ Clean the lawn mower, 17.2.
- ▶ Check the blade, 12.2.
- ▶ Attach the handlebar, 7.1.
- ▶ Fold up and adjust the handlebar, 8.1.
- ▶ If mowing and the grass is to be collected in the grass catcher box:
 - ▶ Detach the guide, 7.3.2.
 - ▶ Remove the mulch insert, 7.3.2.
 - ▶ Attach the grass catcher box, 7.2.1.
- ▶ If mowing and the grass is to be directed to the ground from the side:
 - ▶ Remove the mulch insert, 7.3.2.
 - ▶ Detach the grass catcher box, 7.2.2.
 - ▶ Attach the guide, 7.4.1.
- ▶ If mulching:
 - ▶ Detach the guide, 7.4.2.
 - ▶ Detach the grass catcher box, 7.2.2.
 - ▶ Attach the mulch insert, 7.3.1.
- ▶ Set the cutting height, 13.2.
- ▶ Check the controls, 12.1.
- ▶ If the steps cannot be performed: do not use the lawn mower and consult a STIHL specialist dealer.

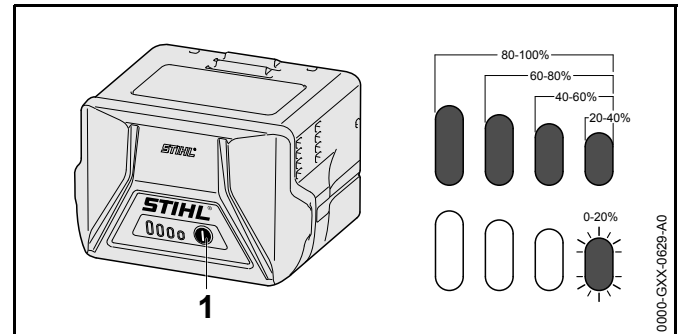
6 Charging the Battery, LEDs

6.1 Charging the Battery

The charging time depends on various influencing factors such as the temperature of the battery and the ambient temperature. For optimum performance, note the recommended temperature ranges, 21.5. The actual charging time may differ from the specified charging time. Please refer to www.stihl.com/charging-times for charging times.

- ▶ Charge the battery as described in the instruction manual for the STIHL AL 101, 301, 500 charger.

6.2 State of Charge



- ▶ Press the button (1).
The LEDs (5) glow green for about 5 seconds and indicate the state of charge.
- ▶ If the LED on the right flashes green: Charge the battery.

6.3 LEDs on Battery

The LEDs can show the state of charge or malfunctions. The LEDs can glow or flash green or red.

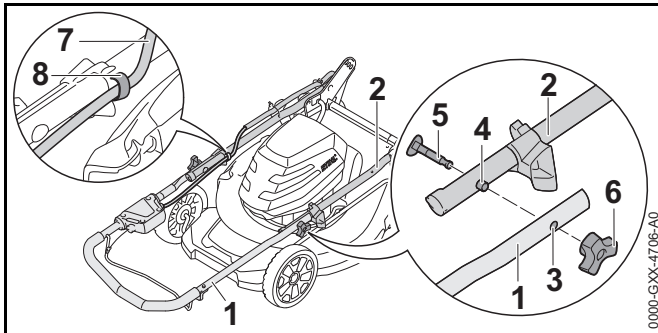
The state of charge is indicated when the LEDs glow or flash green.

- ▶ If the LEDs glow or flash red: Troubleshooting, 20.1.
There is a malfunction in the mower or battery.

7 Assembling the Lawn Mower

7.1 Attaching the Handlebar

- ▶ Switch the lawn mower off, pull out the activation key and remove the battery.
- ▶ Place the lawn mower on a level surface.



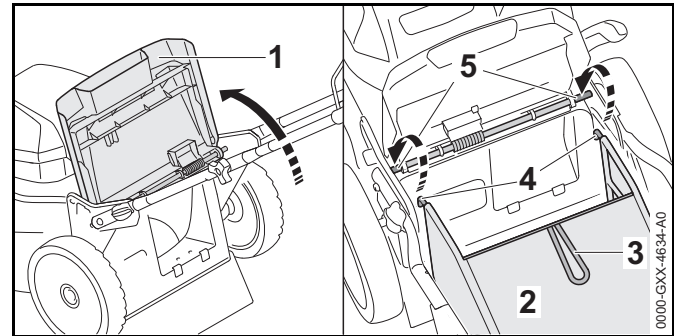
- ▶ Align upper handlebar (1) and lower handlebar (2) so stud (4) engages in bore (3) on both sides.
- ▶ Insert bolt (5) and align so the bolt head is flush with lower handlebar (2) on both sides.
- ▶ Screw on star grip nut (6).
- ▶ Press cable (7) into holder (8).

The handlebar must not be dismantled again.

7.2 Fitting and Removing the Grass Box

7.2.1 Fitting the Grass Box

- ▶ Switch off the mower, remove the activation key and battery.
- ▶ Place the mower on a flat surface.
- ▶ If the side chute is still in place: Remove the chute.
- ▶ If the mulch plug is still in place: Remove the mulch plug.



- ▶ Open the discharge shield (1) and hold it in position.
- ▶ Hold grass box (2) by the handle (3) and engage the hooks (4) on the rod (5).
- ▶ Rest the discharge shield (1) on the grass box (2).

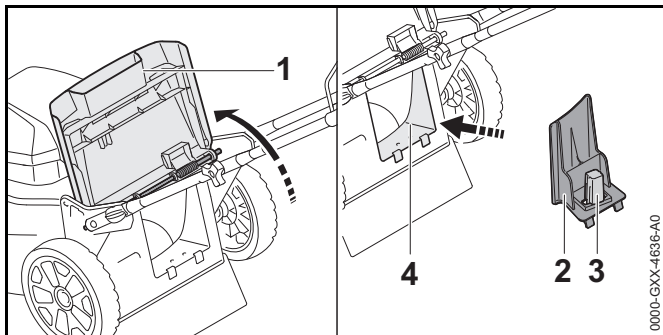
7.2.2 Detaching the Grass Catcher Box

- ▶ Switch the lawn mower off.
- ▶ Place the lawn mower on a level surface.
- ▶ Open the discharge flap and hold it open.
- ▶ Remove the grass catcher box upwards by the handle.
- ▶ Close the discharge flap.

7.3 Fitting and Removing the Mulch Plug

7.3.1 Fitting the Mulch Plug

- ▶ Switch off the mower, remove the activation key and battery.
- ▶ Place the mower on a flat surface.



- ▶ Open the discharge shield (1) and hold it in position.
- ▶ Hold the mulch plug (2) by the grip (3) and fit it in the discharge duct (4).
- ▶ Close the discharge shield (1).

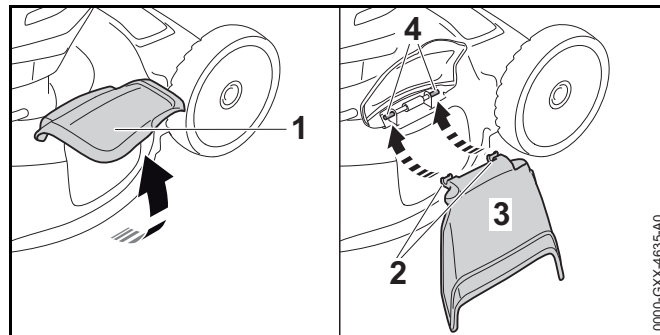
7.3.2 Removing the Mulch Plug

- ▶ Switch off the mower, remove the activation key and battery.
- ▶ Place the mower on a flat surface.
- ▶ Open the discharge shield and hold it in position.
- ▶ Remove the mulch plug.
- ▶ Close the discharge shield.

7.4 Fitting and Removing the Chute

7.4.1 Fitting the Chute

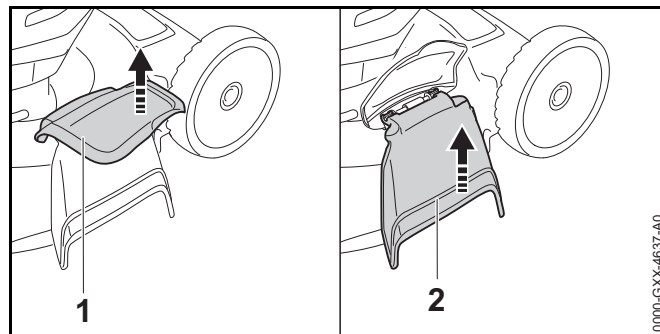
- ▶ Switch off the mower, remove the activation key and battery.
- ▶ Place the mower on a flat surface.



- ▶ Open the side discharge shield (1) and hold it in position.
- ▶ Engage hooks (2) on the shaft (4) from below.
- ▶ Rest the side discharge shield (1) on the chute (3).

7.4.2 Removing the Chute

- ▶ Switch off the mower, remove the activation key and battery.
- ▶ Place the mower on a flat surface.

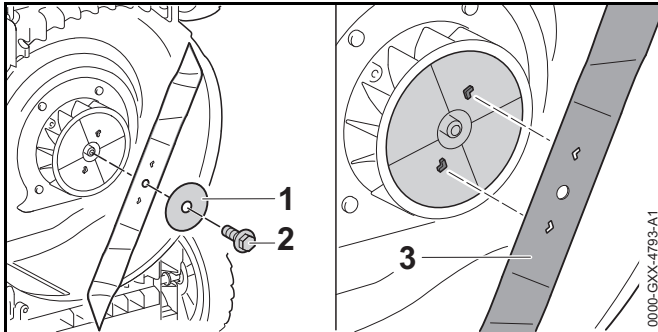


- ▶ Open the side discharge shield (1) and hold it in position.
- ▶ Swing the chute (2) upwards and lift it away.
- ▶ Close the side discharge shield (1).

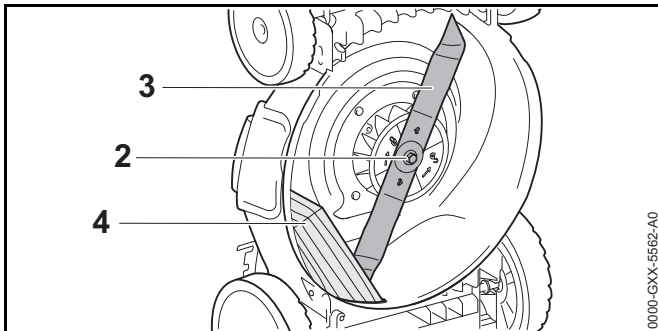
7.5 Fitting and Removing the Blade

7.5.1 Attaching the Blade

- ▶ Switch the lawn mower off, pull out the activation key and remove the battery.
- ▶ Upend the lawn mower.



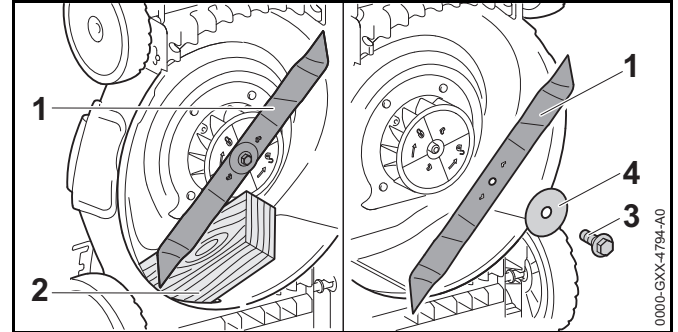
- ▶ Place new washer (1) on new bolt (2).
- ▶ Apply Loctite 243 or Loctite 242 thread locker to the thread of bolt (2).
- ▶ Position blade (3) so the raised areas on the contact area engage in the notches in blade (3).



- ▶ Screw in bolt (2) together with washer (1).
- ▶ Block blade (3) using a piece of wood (4).
- ▶ Tighten bolt (2) to 35 Nm.

7.5.2 Removing the Blade

- ▶ Switch the lawn mower off, pull out the activation key and remove the battery.
- ▶ Upend the lawn mower.

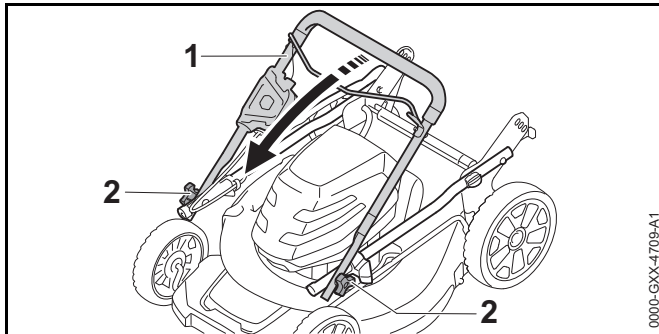


- ▶ Block blade (1) using a piece of wood (2).
- ▶ Unscrew bolt (3) and remove together with washer (4).
- ▶ Remove blade (1).
- ▶ Discard bolt (3) and washer (4).
Use a new bolt and washer to attach blade (1).

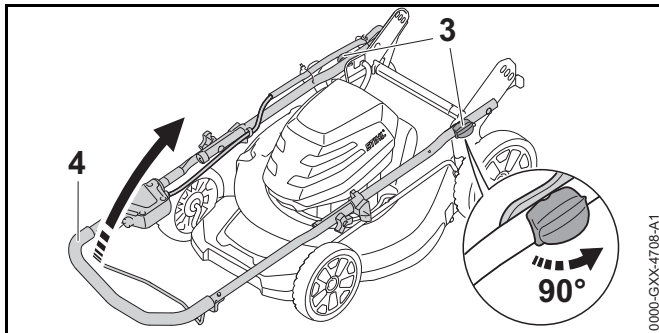
8 Adjusting the Lawn Mower for the User

8.1 Folding Up and Adjusting the Handlebar

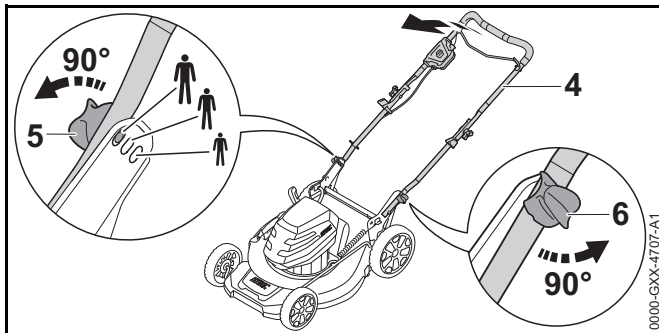
- ▶ Switch the lawn mower off, pull out the activation key and remove the battery.
- ▶ Place the lawn mower on a level surface.



- ▶ Fold up upper handlebar (1).
- ▶ Tighten star grip nuts (2).



- ▶ Turn lever (3) by 90°.
- ▶ Fold up handlebar (4) fully.



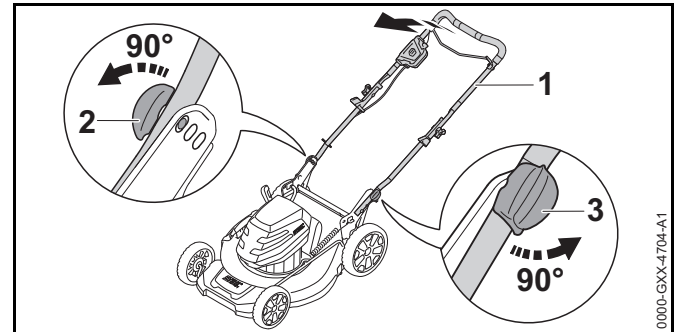
- ▶ Align handlebar (4) so the pins of levers (5 and 6) align with the required positions.

- ▶ Turn levers (5 and 6) by 90°.
The pins of levers (5 and 6) engage in the bores at the same level.

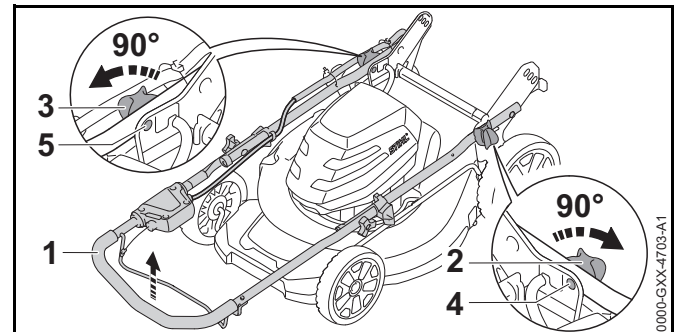
8.2 Folding the Handlebar

The handlebar can be folded for space-saving transport or storage.

- ▶ Switch the lawn mower off, pull out the activation key and remove the battery.
- ▶ Place the lawn mower on a level surface.

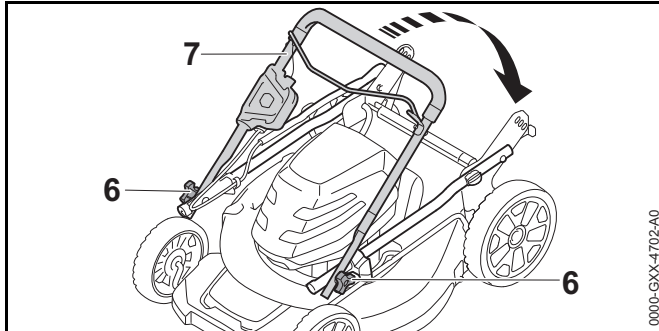


- ▶ Hold handlebar (1) and turn lever (2) by 90°.
- ▶ Turn lever (3) by 90°.
- ▶ Fold down handlebar (1).



- ▶ Turn both levers (2 and 3) by 90°.

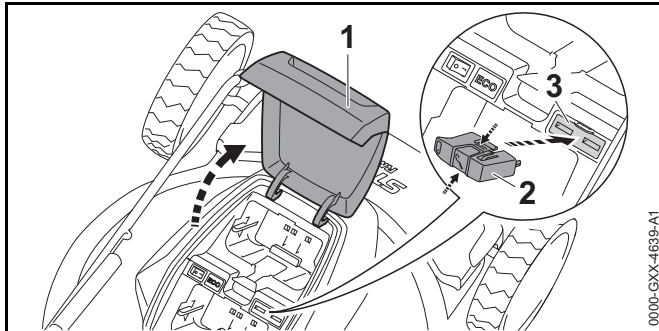
- ▶ Press handlebar (1) upwards until pins (4 and 5) of levers (2 and 3) engage. Handlebar (1) is locked in place.



- ▶ Loosen star grip nuts (6).
- ▶ Fold upper handlebar (7).

9 Inserting and Removing the Activation Key

9.1 Inserting the Activation Key



- ▶ Open flap (1) as far as the stop and hold.
- ▶ Press and hold activation key (2).
- ▶ Insert activation key (2) in key receptacle (3). Activation key (2) engages with a click.
- ▶ Close flap (1).

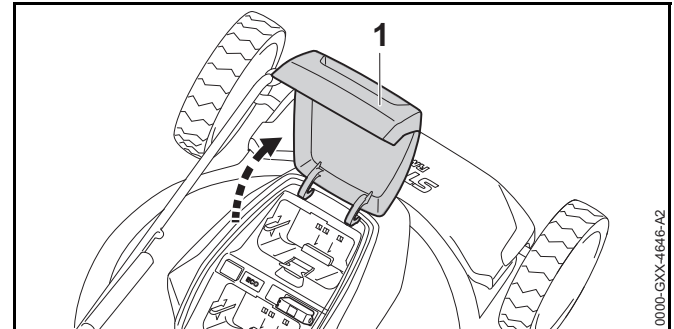
9.2 Removing the Activation Key

- ▶ Open the lid as far as stop and hold it there.
- ▶ Squeeze the activation key and hold it in that position.
- ▶ Pull out the activation key.
- ▶ Close the lid.
- ▶ Keep the activation key out of the reach of children.

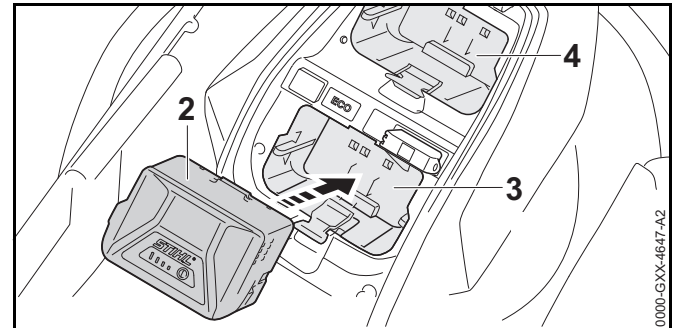
10 Removing and Fitting the Battery

10.1 Fitting the Battery

The lawnmower is equipped with two battery compartments. A replacement battery can be carried.



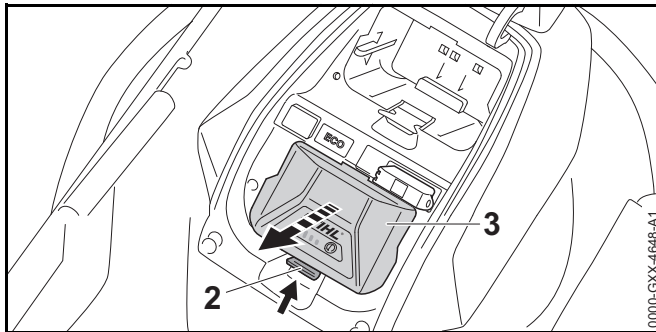
- ▶ Open flap (1) as far as the stop and hold.



- ▶ Push battery (2) into battery compartment (3) as far as it will go.
Battery (2) engages with a click and is locked in place.
- ▶ If a replacement battery is to be carried: fit the replacement battery in battery compartment (4).
The battery engages with a click and is locked in place.
- ▶ Close flap (1).

10.2 Removing the Battery

- ▶ Place the mower on a flat surface.
- ▶ Open the lid (1) as far as stop and hold it there.

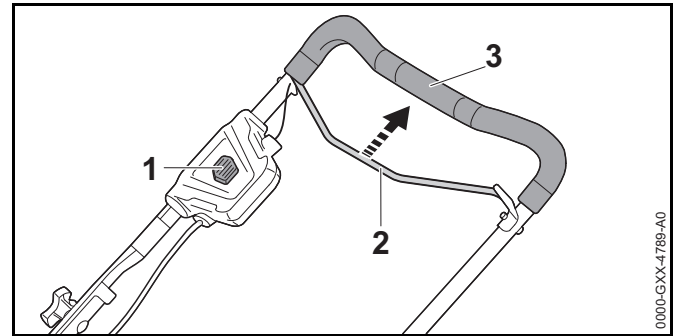


- ▶ Depress the locking lever (2).
The battery (3) is unlocked and can be removed.
- ▶ Close the lid (1).

11 Switching the Lawn Mower On and Off

11.1 Switching the Lawn Mower On

- ▶ Place the lawn mower on a level surface.



- ▶ Press locking button (1) with the right hand and hold.
- ▶ Pull control bar (2) with the left hand fully in the direction of handlebar (3) and hold so the thumb encloses handlebar (3).
The blade turns.
- ▶ Release locking button (1).
- ▶ Hold handlebar (3) and control bar (2) with the right hand so the thumb encloses handlebar (3).

11.2 Switching the Lawn Mower Off

- ▶ Release the control bar.
- ▶ Wait until the blade is no longer turning.
- ▶ If the blade continues to turn: pull out the activation key, remove the battery and consult a STIHL specialist dealer.
The lawn mower is defective.

12 Checking the Lawn Mower and Battery

12.1 Checking the Controls

Locking button and control bar

- ▶ Pull out the activation key.
- ▶ Remove the battery.
- ▶ Press the locking button and release it again.
- ▶ Pull the control bar fully in the direction of the handlebar and release it again.

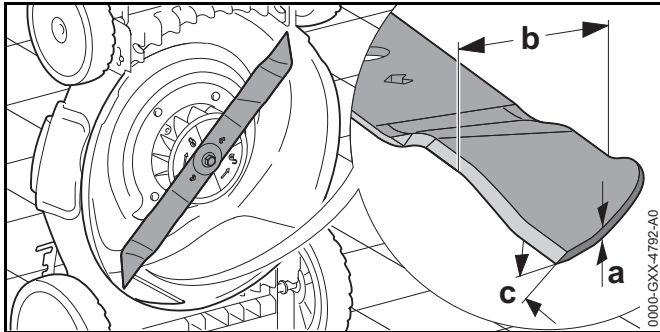
- ▶ If the locking button or the control bar is stiff or does not spring back into the initial position: do not use the lawn mower and consult a STIHL specialist dealer. The locking button or the control bar is defective.

Activating the blade

- ▶ Insert the activation key.
- ▶ Fit the battery.
- ▶ Press the locking button with the right hand and hold.
- ▶ Pull the control bar with the left hand fully in the direction of the handlebar and hold so that the thumb encloses the handlebar. The blade turns.
- ▶ If 3 LEDs flash red: pull out the activation key, remove the battery and consult a STIHL specialist dealer. There is a fault in the lawn mower.
- ▶ Release the locking button and control bar. The blade stops turning after a short time.
- ▶ If the blade continues to turn: pull out the activation key, remove the battery and consult a STIHL specialist dealer. The lawn mower is defective.

12.2 Checking the Blade

- ▶ Switch off the mower, remove the activation key and battery.
- ▶ Stand the mower on end.



- ▶ Measure the following:

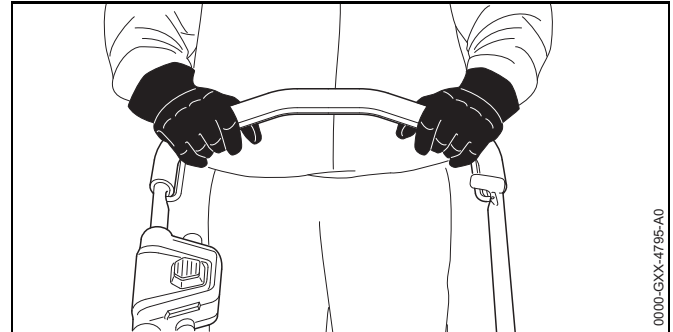
- Thickness 'a'
- Width 'b'
- Sharpening angle 'c'
- ▶ If the minimum thickness and minimum width are outside the specified limits: Replace the blade, 21.2.
- ▶ If the filing angle is not correct: Sharpen the blade, 21.2.
- ▶ If you have any queries: Contact a STIHL servicing dealer for assistance.

12.3 Testing the Battery

- ▶ Press button on battery. The LEDs glow or flash.
- ▶ If the LEDs do not glow or flash: Do not use the battery and contact your STIHL servicing dealer. There is a malfunction in the battery.

13 Operating the Lawn Mower

13.1 Holding and Controlling the Mower



- ▶ Hold the handle firmly with both hands and wrap your thumbs around the handle.

13.2 Setting the Cutting Height

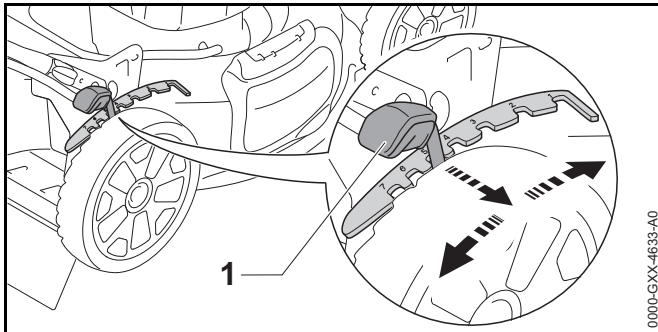
Seven cutting heights can be set as appropriate to the application:

- 35 mm = position 1
- 50 mm = position 2
- 63 mm = position 3
- 74 mm = position 4
- 83 mm = position 5
- 90 mm = position 6
- 98 mm = position 7

The positions are indicated on the lawn mower.

Setting the cutting height

- ▶ Switch the lawn mower off.
The blade must not be turning.
- ▶ Place the lawn mower on a level surface.

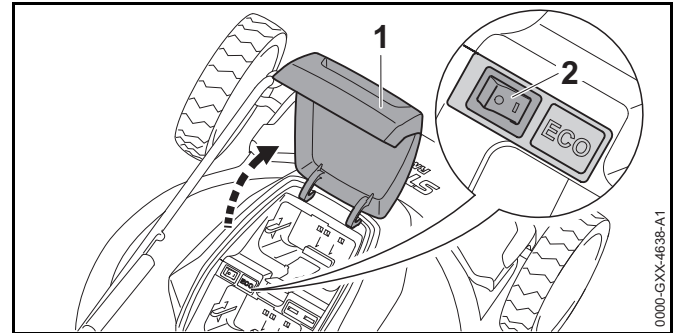


- ▶ Pull lever (1) from the notch and move to the desired position.

13.3 Switching on ECO Mode

When the ECO mode is switched on, the mower detects the current operating conditions and automatically selects the most suitable cutting blade speed.

This helps extend the battery runtime.




- ▶ Open the lid (1) as far as stop and hold it there.
- ▶ Set the ECO switch (2) to I.
- ▶ Close the lid (1).

13.4 Mowing and Mulching




- ▶ Push the lawn mower forwards slowly and in a controlled manner.

For optimum performance, note the recommended temperature ranges,  21.5.

14 After Finishing Work

14.1 After Finishing Work

- ▶ Switch the lawn mower off, pull out the activation key and remove the battery.
- ▶ If the lawn mower is wet: allow it to dry.
- ▶ If the battery is wet or damp: allow it to dry,  21.5.
- ▶ Clean the lawn mower.
- ▶ Clean the battery.

15 Transporting

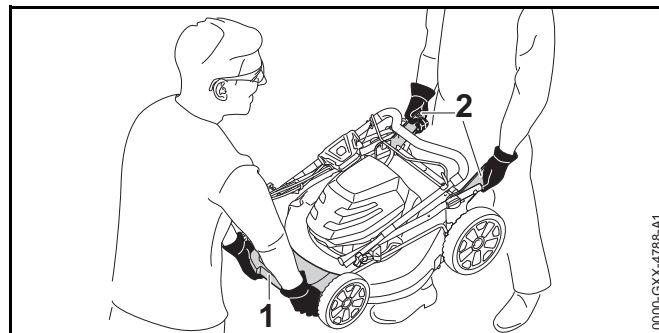
15.1 Transporting the Lawn Mower

- ▶ Switch the lawn mower off.
The blade must not be turning.
- ▶ Pull out the activation key and remove the battery.

Pushing the lawn mower

- ▶ Push the lawn mower forwards slowly and in a controlled manner.

Carrying the lawn mower



- ▶ Fold down the handlebar.
- ▶ Wear work gloves made from resistant material.
- ▶ One person holds the lawn mower by cover (1) using both hands and another person holds brackets (2) using both hands.

Transporting the lawn mower in a vehicle

- ▶ Secure the lawn mower upright so the lawn mower does not tip over and cannot move.

15.2 Transporting the Battery

- ▶ Switch the lawn mower off and remove the battery.
- ▶ Make sure that the battery is in safe condition.
- ▶ Pack the battery in such a way that it cannot move in the packaging.
- ▶ Secure the packaging so it cannot move.

The battery is subject to the requirements for transporting hazardous goods. The battery is classed as a UN 3480 (lithium-ion battery) and has been tested in accordance with the UN Manual of Tests and Criteria, Part III, subsection 38.3.

Please refer to www.stihl.com/safety-data-sheets for transport instructions.


16 Storing

16.1 Storing the Lawn Mower

- ▶ Switch the lawn mower off, pull out the activation key and remove the battery.
- ▶ Store the lawn mower in accordance with the following conditions:
 - The lawn mower is out of reach of children.
 - The lawn mower is clean and dry.
 - The lawn mower cannot tip over.
 - The lawn mower cannot roll away.

16.2 Storing the Battery

STIHL recommends storing the battery at a charge state between 40% and 60% (2 LEDs illuminated green).

- ▶ Store the battery in accordance with the following conditions:
 - The battery is out of reach of children.
 - The battery is clean and dry.
 - The battery is in an enclosed space.
 - The battery is separate from the lawn mower.
 - If the battery is stored in the charger: disconnect the mains plug and store the battery at a charge state between 40% and 60% (2 LEDs illuminated green).
 - The battery is not stored outside the specified temperature limits,  21.4.

NOTICE

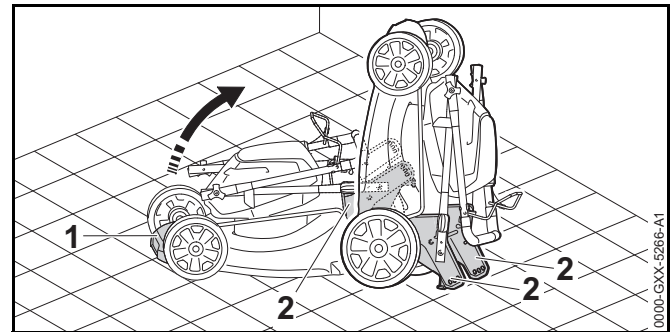
If the battery is not stored as described in this instruction manual, it may become deeply discharged and irreparably damaged.

- ▶ Charge a discharged battery before storing it. STIHL recommends storing the battery at a charge state between 40% and 60% (2 LEDs illuminated green).
- ▶ Store the battery separately from the lawn mower.

17 Cleaning

17.1 Standing the Mower on End

- ▶ Switch off the mower, remove the activation key and battery.
- ▶ Place the mower on a flat surface.
- ▶ Set the cutting height to position 4.
- ▶ Fold down the handle.



- ▶ Grip front cover (1) with one hand and the bracket (2) with the other hand.
- ▶ Stand the mower on end with the brackets (2) resting on the floor.

17.2 Cleaning the Lawn Mower

- ▶ Switch the lawn mower off, pull out the activation key and remove the battery.
- ▶ Clean the lawn mower with a damp cloth.
- ▶ Clean the discharge chute and side discharge chute with a soft brush or a damp cloth.
- ▶ Remove any foreign bodies from the battery compartment and clean the battery compartment with a damp cloth.
- ▶ Clean the electric contacts in the battery compartment with a paintbrush or a soft brush.
- ▶ Clean the ventilation slots with a paintbrush.
- ▶ Upend the lawn mower.

- ▶ Clean the area around the blade and the blade with a stick, a soft brush or a damp cloth.

17.3 Cleaning the Battery

- ▶ Clean the battery with a damp cloth.

18 Maintenance

18.1 Sharpening and Balancing the Blade

Sharpening and balancing the blade correctly requires a lot of practice.

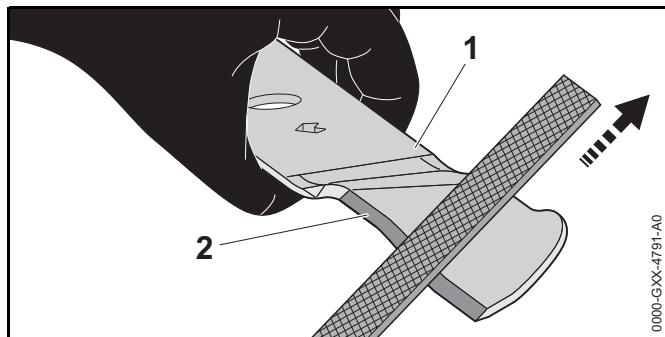
STIHL files, STIHL filing aids and STIHL sharpeners help to sharpen the blade correctly.


STIHL recommends having the blade sharpened and balanced by a STIHL specialist dealer.

WARNING

The cutting edges of the blade are sharp. This may result in the user cutting themselves.

- ▶ Wear protective gloves made from resistant material.
-
- ▶ Switch the lawn mower off, pull out the activation key and remove the battery.
 - ▶ Upend the lawn mower.
 - ▶ Remove the blade.



- ▶ Sharpen cutting edge (2) by passing a STIHL flat file over it in a forwards motion. Observe the sharpening angle,  21.2.
- ▶ Flip blade (1).
- ▶ Sharpen the other cutting edge (2).
- ▶ Attach the blade.
- ▶ If anything is unclear: consult a STIHL specialist dealer.

19 Repairing

19.1 Repairing the Mower and Battery


The mower, blade and battery cannot be repaired by the user.

- ▶ If the mower or the blade is damaged: Do not use your mower and contact your STIHL servicing dealer for assistance.
- ▶ If the battery has a malfunction or is damaged: Replace the battery.
- ▶ If safety labels are illegible or damaged: Have the labels replaced by a STIHL servicing dealer.

20 Troubleshooting

20.1 Remediating Lawn Mower or Battery Faults

Fault	LEDs on the battery	Cause	Remedy
The lawn mower does not start when switched on.	1 LED flashes green.	The battery charge state is too low.	▶ Charge the battery.
	1 LED illuminates red.	The battery is too warm or too cold.	▶ Pull out the activation key. ▶ Remove the battery. ▶ Allow the battery to cool down or warm up.
	3 LEDs flash red.	There is a fault in the lawn mower.	▶ Pull out the activation key. ▶ Remove the battery. ▶ Clean the electrical contacts in the battery compartment. ▶ Fit the battery. ▶ Switch the lawn mower on. ▶ If 3 LEDs still flash red: do not use the lawn mower and consult a STIHL specialist dealer.
	3 LEDs illuminate red.	The lawn mower is too warm.	▶ Pull out the activation key. ▶ Remove the battery. ▶ Allow the lawn mower to cool down.
	4 LEDs flash red.	There is a fault in the battery.	▶ Remove the battery and fit it again. ▶ Switch the lawn mower on. ▶ If 4 LEDs still flash red: do not use the battery and consult a STIHL specialist dealer.
		The electrical connection between the lawn mower and battery has been interrupted.	▶ Pull out the activation key. ▶ Remove the battery. ▶ Clean the electrical contacts in the battery compartment. ▶ Insert the activation key. ▶ Fit the battery.

Fault	LEDs on the battery	Cause	Remedy
		The lawn mower or battery is damp.	<ul style="list-style-type: none"> ▶ Pull out the activation key. ▶ Remove the battery. ▶ Clean the lawn mower. ▶ Allow the lawn mower or battery to dry,  21.5.
		The resistance at the blade is too great.	<ul style="list-style-type: none"> ▶ Set a higher cutting height. ▶ Switch the lawn mower on in lower grass.
The lawn mower stops during operation.	3 LEDs illuminate red.	The lawn mower is too warm.	<ul style="list-style-type: none"> ▶ Pull out the activation key. ▶ Remove the battery. ▶ Allow the lawn mower to cool down. ▶ Clean the lawn mower. ▶ Do not switch the lawn mower on too frequently within a short time. ▶ Go forwards slower. ▶ Set a higher cutting height. ▶ Mow shorter grass.
		The blade is blocked.	<ul style="list-style-type: none"> ▶ Pull out the activation key. ▶ Remove the battery. ▶ Clean the lawn mower.
		There is an electrical fault.	<ul style="list-style-type: none"> ▶ Remove the battery and fit it again. ▶ Switch the lawn mower on.
The lawn mower operating time is too short.		The battery is not fully charged.	<ul style="list-style-type: none"> ▶ Fully charge the battery.
		The battery service life has been exceeded.	<ul style="list-style-type: none"> ▶ Replace the battery.
Charging fails to start after fitting the battery into the charger.	1 LED illuminates red.	The battery is too warm or too cold.	<ul style="list-style-type: none"> ▶ Leave the battery inserted in the charger. Charging starts automatically as soon as the permissible temperature range is reached.

21 Specifications

21.1 STIHL RMA 460 Lawn Mower

- Permissible battery: STIHL AK
- Weight without battery: 25 kg
- Maximum grass catcher box capacity: 60 l
- Cutting width: 46 cm
- Speed: 3200 rpm
- Speed in ECO mode: 2800 rpm

For information on the battery life see www.stihl.com/battery-life.

21.2 Blade

- Thickness: 2.5 mm
- Minimum thickness: 2.0 mm
- Width: 50 mm
- Minimum width: 45 mm
- Sharpening angle: 30°

21.3 STIHL AK Battery

- Battery technology: lithium-ion
- Voltage: 36 V
- Capacity in Ah: see rating label
- Energy content in Wh: see rating label
- Weight in kg: See rating label

21.4 Temperature Limits



WARNING

The battery is not protected against all ambient conditions. If exposed to certain ambient conditions, the battery may catch fire or explode. This may result in serious injury to people and damage to property.

- ▶ Do not charge the battery below -20°C or above +50°C.
- ▶ Do not use the lawn mower or battery below -20°C or above +50°C.
- ▶ Do not store the lawn mower or battery below -20°C or above +70°C.

21.5 Recommended Temperature Ranges

For optimum performance of the lawn mower and batteries, observe the following temperature ranges:

- Charging: +5°C to +40°C
- Use: -10°C to +40°C
- Storage: -20°C to +50°C

If the battery is charged, used or stored outside the recommended temperature ranges, performance may be reduced.

If the battery is wet or damp, allow it to dry for at least 48 hours at above +15°C and below +50°C and at less than 70% humidity. Higher humidity may increase the drying time.

21.6 Normative Information

STIHL Tirol GmbH
Hans Peter Stihl-Strasse 5
6336 Langkampfen
Austria

confirms that the machine complies with the regulations in implementation of the following standards IEC 60335-1 and IEC 60335-2-77.


21.7 REACH

REACH is an EC regulation and stands for the Registration, Evaluation, Authorisation and Restriction of Chemical substances.

For information on compliance with the REACH regulation see www.stihl.com/reach.

22 Spare Parts and Accessories

22.1 Spare parts and accessories

STIHL  These symbols indicate original STIHL spare parts and original STIHL accessories.

STIHL recommends the use of original STIHL spare parts and accessories.

Despite ongoing market observation, STIHL is unable to judge the reliability, safety and suitability of other manufacturers' spare parts and accessories; accordingly, STIHL cannot warrant for the use of those parts.

Original STIHL spare parts and original STIHL accessories are available from STIHL dealers.

23 Disposal

23.1 Disposing of Mower and Battery

Information on disposal is available from your local authority or from a STIHL dealer.

Improper disposal may be harmful to health and pollute the environment.

- ▶ Take STIHL products including packaging to a suitable collection point for recycling in accordance with local regulations.
- ▶ Do not dispose of the product with domestic waste.

Table des matières

1	Préface	30	8.1	Relevage et réglage du guidon	45
2	Informations concernant la présente Notice d'emploi	30	8.2	Pliage du guidon	46
2.1	Documents applicables	30	9	Insertion et retrait de la clé de sécurité	47
2.2	Marquage des avertissements dans le texte	31	9.1	Insertion de la clé de sécurité	47
2.3	Symboles employés dans le texte	31	9.2	Retrait de la clé de sécurité	47
3	Vue d'ensemble	31	10	Introduction et extraction de la batterie	47
3.1	Tondeuse et batterie	31	10.1	Mise en place de la batterie	47
3.2	Symboles	32	10.2	Retrait de la batterie	48
4	Prescriptions de sécurité	33	11	Mise en marche et arrêt de la tondeuse à gazon	48
4.1	Symboles d'avertissement	33	11.1	Mise en marche de la tondeuse	48
4.2	Utilisation conforme du produit	34	11.2	Arrêt de la tondeuse	48
4.3	Exigences concernant l'utilisateur	34	12	Contrôle de la tondeuse et de la batterie	48
4.4	Vêtements et équipement	35	12.1	Contrôle des éléments de commande	48
4.5	Aire de travail et voisinage	35	12.2	Contrôle de la lame	49
4.6	Bon état pour une utilisation en toute sécurité	36	12.3	Contrôle de la batterie	49
4.7	Utilisation	38	13	Utilisation de la tondeuse	50
4.8	Transport	39	13.1	Conduite et guidage de la tondeuse	50
4.9	Rangement	40	13.2	Réglage de la hauteur de coupe	50
4.10	Nettoyage, entretien et réparation	41	13.3	Activation du mode ECO	50
5	Préparation de la tondeuse	41	13.4	Tonte et mulching	51
5.1	Préparation de la tondeuse	41	14	Après le travail	51
6	Recharge de la batterie et DEL	42	14.1	Après l'utilisation	51
6.1	Recharge de la batterie	42	15	Transport	51
6.2	Affichage du niveau de charge	42	15.1	Transport de la tondeuse	51
6.3	Voyants sur la batterie	42	15.2	Transport de la batterie	51
7	Assemblage de la tondeuse à gazon	42	16	Rangement	52
7.1	Montage du guidon	42	16.1	Remisage de la tondeuse	52
7.2	Accrochage et décrochage du bac de ramassage	43	16.2	Entreposage de la batterie	52
7.3	Mise en place et retrait de l'obturateur mulching	43	17	Nettoyage	52
7.4	Accrochage et décrochage du guidage	44	17.1	Mise en position verticale de la tondeuse	52
7.5	Montage et démontage de la lame	45	17.2	Nettoyage de la tondeuse	53
8	Réglage de la tondeuse pour l'utilisateur	45	17.3	Nettoyage de la batterie	53
			18	Maintenance	53



La présente Notice d'emploi est protégée par des droits d'auteur. Tous droits réservés, en particulier tout droit de copie, de traduction et de traitement avec des systèmes électroniques quelconques.

18.1 Affûtage et équilibrage de la lame	53
19 Réparation	53
19.1 Réparation de la tondeuse et de la batterie	53
20 Dépannage	54
20.1 Résolution des dysfonctionnements de la tondeuse ou de la batterie	54
21 Caractéristiques techniques	56
21.1 Tondeuse STIHL RMA 460	56
21.2 Lame	56
21.3 Batterie STIHL AK	56
21.4 Limites de température	56
21.5 Plages de température recommandées	56
21.6 Références normatives	56
21.7 REACH	57
22 Pièces de rechange et accessoires	57
22.1 Pièces de rechange et accessoires	57
23 Mise au rebut	57
23.1 Mise au rebut de la tondeuse et de la batterie	57

1 Préface

Chère cliente, cher client,

Nous vous remercions d'avoir choisi un produit STIHL. Dans le développement et la fabrication de nos produits, nous mettons tout en œuvre pour garantir une excellente qualité répondant aux besoins de nos clients. Nos produits se distinguent par une grande fiabilité, même en cas de sollicitations extrêmes.

STIHL garantit également la plus haute qualité au niveau du service après-vente. Nos revendeurs spécialisés fournissent des conseils compétents, aident nos clients à se familiariser avec nos produits et assurent une assistance technique complète.

STIHL se déclare résolument en faveur d'un développement durable et d'une gestion responsable de la nature. La présente Notice d'emploi vous aidera à utiliser votre produit STIHL en toute sécurité et dans le respect de l'environnement, pendant toute sa longue durée de vie.

Nous vous remercions de votre confiance et vous souhaitons beaucoup de plaisir avec votre produit STIHL.



Dr. Nikolas Stihl

IMPORTANT ! LIRE CETTE NOTICE AVANT D'UTILISER CE PRODUIT ET LA CONSERVER PRÉCIEUSEMENT.

2 Informations concernant la présente Notice d'emploi

2.1 Documents applicables

Les consignes de sécurité locales s'appliquent.

- ▶ Outre le présent manuel d'utilisation, lire, comprendre et conserver les documents suivants :
 - Consignes de sécurité de la batterie STIHL AK
 - Manuel d'utilisation des chargeurs STIHL AL 101, 301, 500
 - Informations de sécurité pour les batteries STIHL et les produits avec batterie intégrée : www.stihl.com/safety-data-sheets

2.2 Marquage des avertissements dans le texte

⚠ DANGER

Attire l'attention sur des dangers causant des blessures graves, voire mortelles.

- ▶ Les mesures indiquées peuvent éviter des blessures graves, voire mortelles.

⚠ AVERTISSEMENT

Attire l'attention sur des dangers qui **peuvent** causer des blessures graves, voire mortelles.

- ▶ Les mesures indiquées peuvent éviter des blessures graves, voire mortelles.

AVIS

Attire l'attention sur des dangers pouvant causer des dégâts matériels.

- ▶ Les mesures indiquées peuvent éviter des dégâts matériels.

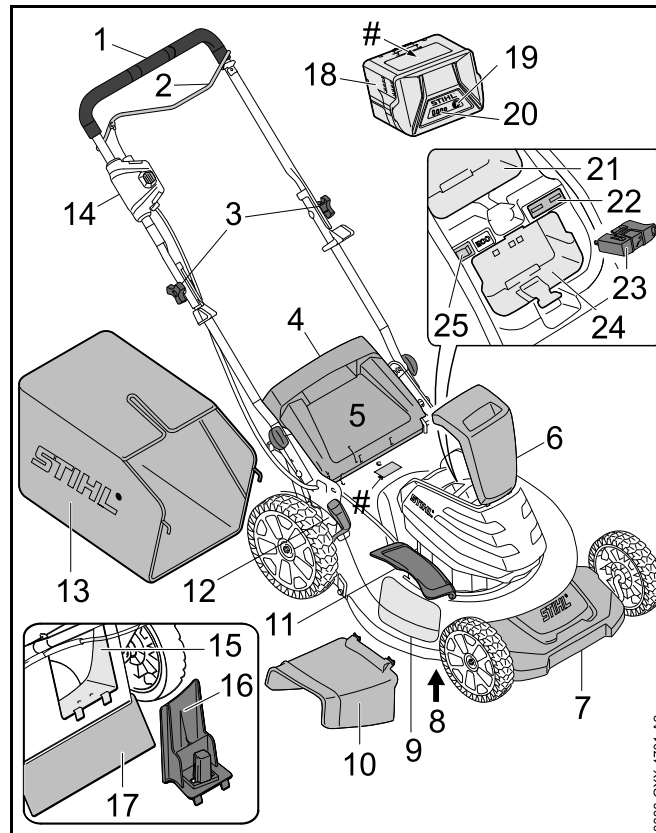
2.3 Symboles employés dans le texte



Ce symbole renvoie à un chapitre de la présente Notice d'emploi.

3 Vue d'ensemble

3.1 Tondeuse et batterie



1 Guidon

Le guidon permet de tenir, de guider et de transporter la tondeuse.

2 Arceau de commande

L'arceau de commande combiné au bouton de blocage active et désactive la tondeuse.

3 Molette de serrage

La molette de serrage serre la partie supérieure du guidon sur la partie inférieure du guidon.

4 Volet d'éjection

Le volet d'éjection obture le canal d'éjection.

5 Levier

Le levier bloque le réglage du guidon.

6 Volet

Le volet couvre la batterie, l'interrupteur ECO et la clé de sécurité. Il protège également de la saleté.

7 Cache

Le cache recouvre et permet de transporter la tondeuse.

8 lame

La lame tond l'herbe et réalise le mulching.

9 Canal d'éjection latérale

Le canal d'éjection latérale dirige l'herbe tondue sur le côté.

10 Guidage

Le guidage dirige l'herbe tondue sur le sol.

11 Volet d'éjection latérale

Le volet d'éjection latérale obture le canal d'éjection latérale.

12 Levier

Le levier permet de régler la hauteur de coupe.

13 Bac de ramassage

Le bac de ramassage recueille l'herbe coupée.

14 Bouton de blocage

Le bouton de blocage combiné à l'arceau de commande active et désactive la tondeuse.

15 Canal d'éjection

Le canal d'éjection dirige l'herbe tondue dans le bac de ramassage.

16 Obturateur mulching

L'obturateur mulching ferme le canal d'éjection.

17 Protection

La protection protège l'utilisateur des objets projetés vers le haut et de tout contact avec la lame.

18 Batterie

La batterie alimente la tondeuse en énergie.

19 Bouton-poussoir

Le bouton-poussoir active les voyants sur la batterie.

20 Voyants

Les voyants indiquent le niveau de charge de la batterie et les dysfonctionnements.

21 Compartiment batterie

Le compartiment batterie accueille une batterie de rechange.

22 Logement de la clé

Le logement de la clé accueille la clé de sécurité.

23 Clé de sécurité

La clé de sécurité active la tondeuse.

24 Compartiment batterie

Le compartiment batterie accueille la batterie.

25 Interrupteur ECO

L'interrupteur ECO active et désactive le mode ECO.

Plaque signalétique avec numéro de machine**3.2 Symboles**

Les symboles peuvent se trouver sur la tondeuse et sur la batterie. Ils ont la signification suivante :



Ce symbole représente la clé de sécurité.



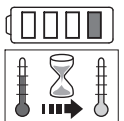
Ce symbole représente le logement de la clé.



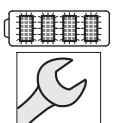
Ce symbole représente l'interrupteur ECO.



Ce symbole indique le poids de la tondeuse.



1 voyant est allumé en rouge. La batterie est trop chaude ou trop froide.



4 voyants clignotent en rouge. La batterie présente une anomalie.



Le voyant est allumé en vert et les voyants sur la batterie sont allumés ou clignotent en vert. La batterie est en cours de recharge.



Le voyant clignote en rouge. Il n'y a aucun contact électrique entre la batterie et le chargeur ou une anomalie est présente dans la batterie ou le chargeur.



Niveau de puissance acoustique garanti conformément à la directive 2000/14/EC en dB(A) pour pouvoir comparer les émissions sonores des produits.



La mention en regard du symbole indique la teneur énergétique de la batterie conformément à la spécification du fabricant des cellules. La teneur énergétique disponible lors de l'utilisation est plus faible.



Ne pas jeter le produit avec les ordures ménagères.

4 Prescriptions de sécurité

4.1 Symboles d'avertissement

Les symboles d'avertissement se trouvant sur la tondeuse ou sur la batterie ont la signification suivante :



Respecter toutes les consignes de sécurité et les mesures associées.



Lire, comprendre et conserver le manuel d'utilisation.



Porter des lunettes de protection.



Respecter les consignes de sécurité et les mesures associées concernant la projection d'objets vers le haut.



Ne pas toucher la lame en rotation.



Retirer la batterie lors des interruptions de travail, du transport, de l'entreposage, de l'entretien ou des réparations.



Retirer la clé de sécurité lors des interruptions de travail, du transport, du remisage, de l'entretien ou des réparations.



Respecter la distance de sécurité.



Protéger la batterie de la chaleur et du feu.



Protéger la tondeuse et la batterie de la pluie et de l'humidité et ne pas les plonger dans des liquides.

4.2 Utilisation conforme du produit

La tondeuse STIHL RMA 460 est destinée à la tonte et au mulching de l'herbe sèche.

La tondeuse ne doit pas être utilisée par temps de pluie.

La tondeuse est alimentée en énergie par une batterie STIHL AK.

⚠ AVERTISSEMENT

- Les batteries non homologuées par STIHL pour cette tondeuse risquent de provoquer des incendies et des explosions. Les personnes risquent des blessures graves, voire la mort et des dommages matériels peuvent survenir.
 - ▶ Utiliser la tondeuse avec une batterie STIHL AK.
- En cas d'utilisation non conforme de la tondeuse ou de la batterie, les personnes risquent des blessures graves, voire la mort et des dommages matériels peuvent survenir.
 - ▶ Utiliser la tondeuse et la batterie comme indiqué dans le présent manuel d'utilisation.

4.3 Exigences concernant l'utilisateur

⚠ AVERTISSEMENT

- Les personnes sans expérience ne peuvent pas percevoir les dangers liés à la tondeuse et de la batterie, ni en évaluer les risques. L'utilisateur ou d'autres personnes risquent des blessures graves, voire la mort.



- ▶ Lire, comprendre et conserver le manuel d'utilisation.

- ▶ Si la tondeuse ou la batterie sont confiées à une autre personne : remettre le manuel d'utilisation.
- ▶ Veiller à ce que l'utilisateur respecte les exigences suivantes :
 - L'utilisateur est reposé.
 - L'utilisateur possède les capacités physiques, sensorielles et mentales pour pouvoir se servir de la tondeuse et de la batterie. Si les capacités physiques, sensorielles ou mentales de l'utilisateur sont limitées, ce dernier doit utiliser la tondeuse uniquement sous la surveillance ou selon les instructions d'une personne responsable.
 - L'utilisateur est en mesure de reconnaître et d'évaluer les dangers liés à la tondeuse et à la batterie.
 - L'utilisateur est majeur ou a été formé conformément aux réglementations nationales en vigueur.
 - L'utilisateur a obtenu d'un revendeur spécialisé STIHL ou d'une personne qualifiée les instructions nécessaires à la première utilisation de la tondeuse.
 - L'utilisateur ne se trouve pas sous l'influence d'alcool, de médicaments ni de drogue.
- ▶ En cas de doute : demander conseil à un revendeur spécialisé STIHL.

4.4 Vêtements et équipement

⚠ AVERTISSEMENT

- Pendant l'utilisation, des objets peuvent être projetés à vitesse élevée. L'utilisateur risque de se blesser.
 - ▶ Porter un pantalon en tissu résistant.
- De la poussière peut être soulevée lors de l'utilisation. Inspirer de la poussière est dangereux pour la santé et peut déclencher des réactions allergiques.
 - ▶ En cas de soulèvement de poussière : porter un masque de protection antipoussière.
- Des vêtements inappropriés peuvent s'accrocher dans les branchages, les broussailles et dans la tondeuse. S'il ne porte pas des vêtements appropriés, l'utilisateur risque de se blesser gravement.
 - ▶ Porter des vêtements ajustés.
 - ▶ Retirer écharpe et bijoux.
- Lors du nettoyage, de l'entretien ou du transport, l'utilisateur peut entrer en contact avec la lame. L'utilisateur risque de se blesser.
 - ▶ Porter des gants de protection.
- L'utilisateur risque de glisser s'il ne porte pas de chaussures de sécurité adaptées. L'utilisateur risque de se blesser.
 - ▶ Porter des chaussures de sécurité solides et fermées à semelle antidérapante.
- Pendant l'affûtage de la lame, des particules de matériau peuvent être projetés. L'utilisateur risque de se blesser.
 - ▶ Porter des lunettes de protection ajustées. Des lunettes de protection adaptées, certifiées conformément à la norme EN 166 ou aux dispositions nationales en vigueur, sont disponibles dans le commerce et portent le marquage correspondant.
 - ▶ Porter des gants de protection.

4.5 Aire de travail et voisinage

4.5.1 Tondeuse

⚠ AVERTISSEMENT

- Les personnes n'intervenant pas dans l'utilisation de la tondeuse, les enfants et les animaux ne peuvent pas percevoir les dangers potentiels ni évaluer les risques liés à la projection d'objets. Les personnes n'intervenant pas dans l'utilisation de l'appareil, les enfants et les animaux risquent de se blesser gravement et des dommages matériels peuvent survenir.



- ▶ Tenir les personnes n'intervenant pas dans l'utilisation de la tondeuse, les enfants et les animaux éloignés de la zone de travail sur un rayon de 15 m.
 - ▶ Maintenir une distance de 15 m avec les objets.
 - ▶ Ne pas laisser la tondeuse sans surveillance.
 - ▶ Veiller à ce que les enfants ne puissent pas jouer avec la tondeuse.
- L'utilisateur risque de glisser en cas d'utilisation de l'appareil sous la pluie. L'utilisateur risque des blessures graves, voire la mort.
 - ▶ En cas de pluie : ne pas utiliser l'appareil.
- La tondeuse n'est pas protégée contre l'eau. Si l'appareil est utilisé sous la pluie ou dans un environnement humide, un choc électrique peut se produire. L'utilisateur risque de se blesser et la tondeuse d'être endommagée.
 - ▶ Ne pas travailler en cas de pluie ou dans un environnement humide.
- ▶ Ne pas tondre, ni procéder au mulching de l'herbe mouillée.
- Les composants électriques de la tondeuse peuvent générer des étincelles. Dans un environnement facilement inflammable ou explosif, les étincelles risquent



de déclencher des incendies et des explosions. Les personnes risquent des blessures graves ou mortelles et des dommages matériels peuvent survenir.

- ▶ Ne pas utiliser l'appareil dans un environnement facilement inflammable et explosif.


4.5.2 Batterie

▲ AVERTISSEMENT

- Des passants, des enfants ou des animaux ne peuvent pas reconnaître et évaluer les dangers de la batterie. Des passants, des enfants ou des animaux risquent d'être grièvement blessés.
 - ▶ Veiller à ce que des passants, des enfants ou des animaux ne s'approchent pas.
 - ▶ Ne pas laisser la batterie sans surveillance.
 - ▶ Veiller à ce que des enfants ne puissent pas jouer avec la batterie.
- La batterie n'est pas protégée contre toutes les influences de l'environnement. Si la batterie est exposée à certaines influences de l'environnement, la batterie risque de prendre feu, d'exploser ou de subir des endommagements irréparables. Des personnes peuvent être grièvement blessées et des dégâts matériels peuvent survenir.



- ▶ Préserver la batterie de la chaleur et du feu.
- ▶ Ne jamais jeter la batterie au feu.

- ▶ Ne pas charger, utiliser ou ranger la batterie à des températures inférieures ou supérieures à la plage de températures indiquée,  21.4.



- ▶ Préserver la batterie de la pluie et de l'humidité, et ne pas la plonger dans un liquide quelconque.

- ▶ Tenir la batterie à l'écart de petits objets métalliques.
- ▶ Ne pas soumettre la batterie à une forte pression.
- ▶ Ne pas exposer la batterie aux micro-ondes.

- ▶ Tenir la batterie à l'écart des produits chimiques et des sels.

4.6 Bon état pour une utilisation en toute sécurité

4.6.1 Tondeuse

La tondeuse est en bon état de fonctionnement si les conditions suivantes sont réunies :

- La tondeuse est intacte.
- La tondeuse est propre et sèche.
- Les éléments de commande fonctionnent et n'ont pas été modifiés.
- Si l'herbe tondu doit être recueillie dans le bac de ramassage : l'obturateur mulching est retiré, le guidage est décroché et le bac de ramassage est bien accroché.
- Si l'herbe tondu doit être éjectée sur le côté : le bac de ramassage est décroché, l'obturateur mulching est bien mis en place et le guidage est bien accroché.
- En cas de mulching : le guidage et le bac de ramassage sont décrochés et l'obturateur mulching est bien mis en place.
- La lame est montée correctement.
- La protection est montée correctement.
- Des accessoires d'origine STIHL adaptés sont montés sur cette tondeuse.
- Les accessoires sont montés correctement.

▲ AVERTISSEMENT



- Des composants ne peuvent plus fonctionner correctement s'ils ne sont pas dans un état conforme aux règles de sécurité et des dispositifs de sécurité peuvent être désactivés. Les personnes risquent des blessures graves ou mortelles.
 - ▶ Utiliser une tondeuse intacte.
 - ▶ Si la tondeuse est sale ou humide : nettoyer la tondeuse et la laisser sécher.
 - ▶ Ne pas modifier la tondeuse.

- ▶ Si les éléments de commande ne fonctionnent pas : ne pas utiliser la tondeuse.
- ▶ Si l'herbe tondue doit être recueillie dans le bac de ramassage : retirer l'obturateur mulching, décrocher le guidage et accrocher le bac de ramassage comme indiqué dans le présent manuel d'utilisation.
- ▶ Si l'herbe tondue doit être éjectée sur le côté : décrocher le bac de ramassage, mettre en place l'obturateur mulching et accrocher le guidage comme indiqué dans le présent manuel d'utilisation.
- ▶ En cas de mulching : décrocher le guidage et le bac de ramassage et mettre en place l'obturateur mulching comme indiqué dans le présent manuel d'utilisation.
- ▶ Monter des accessoires d'origine STIHL adaptés à cette tondeuse.
- ▶ Monter la lame comme indiqué dans le présent manuel d'utilisation.
- ▶ Monter les accessoires comme indiqué dans le présent manuel d'utilisation ou dans celui de l'accessoire correspondant.
- ▶ Ne pas introduire d'objets dans les ouvertures de la tondeuse.
- ▶ Ne pas relier ni court-circuiter les contacts du logement de la clé avec des objets métalliques.
- ▶ Remplacer les pictogrammes usés ou endommagés.
- ▶ En cas de doute : demander conseil à un revendeur spécialisé STIHL.

4.6.2 Lame

La lame est en bon état de fonctionnement si les conditions suivantes sont réunies :

- La lame et les pièces de fixation sont intactes.
- La lame n'est pas déformée.
- La lame est montée correctement.
- La lame est correctement affûtée.
- La lame ne présente aucune ébarbure.

- La lame est correctement équilibrée.
- L'épaisseur et la largeur minimales de la lame sont respectées,  21.2.
- L'angle de coupe est respecté,  21.2.

⚠ AVERTISSEMENT


- Si l'état et le fonctionnement de la lame ne respectent pas les conditions sécurité, des pièces risquent de se desserrer et d'être projetées. Les personnes risquent des blessures graves.
 - ▶ Travailler avec une lame intacte et des pièces de fixation en parfait état.
 - ▶ Monter la lame correctement.
 - ▶ Affûter la lame correctement.
 - ▶ Si l'épaisseur et la largeur de la lame sont inférieures aux valeurs minimales : remplacer la lame.
 - ▶ Faire équilibrer la lame par un revendeur spécialisé STIHL.
 - ▶ En cas de doute : demander conseil à un revendeur spécialisé STIHL.

4.6.3 Batterie

La batterie se trouve en bon état pour une utilisation en toute sécurité si les conditions suivantes sont remplies :

- La batterie ne présente aucun endommagement.
- La batterie est propre et sèche.
- La batterie fonctionne et n'a subi aucune modification.

▲ AVERTISSEMENT

- Si la batterie n'est pas dans l'état impeccable requis pour la sécurité, elle n'est plus en état de fonctionner en toute sécurité. Des personnes risquent d'être grièvement blessées.
 - ▶ Ne travailler qu'avec une batterie qui ne présente aucun endommagement et fonctionne correctement.
 - ▶ Ne pas recharger une batterie endommagée ou défectueuse.
 - ▶ Si la batterie est encrassée : nettoyer la batterie.
 - ▶ Si la batterie est mouillée ou humide : faire sécher la batterie,  21.5.
 - ▶ N'apporter aucune modification à la batterie.
 - ▶ N'introduire aucun objet dans les orifices de la batterie.
 - ▶ Ne pas court-circuiter les contacts de la batterie avec des objets métalliques.
 - ▶ Ne pas ouvrir la batterie.
 - ▶ Remplacer les étiquettes d'avertissement usées ou endommagées.
- En cas d'endommagement de la batterie, du liquide peut s'écouler. Si le liquide entre en contact avec la peau ou les yeux, il peut causer une irritation de la peau ou des yeux.
 - ▶ Éviter tout contact avec ce liquide.
 - ▶ En cas de contact accidentel avec la peau : les surfaces de la peau touchées doivent être savonnées et lavées à grande eau.
 - ▶ En cas de contact accidentel avec les yeux : se rincer les yeux à grande eau pendant au moins 15 minutes et consulter un médecin.

- Une batterie endommagée ou défectueuse peut dégager une odeur inhabituelle ou de la fumée, ou s'enflammer. Cela peut causer des dégâts matériels et des personnes risquent de subir des blessures graves, voire mortelles.
 - ▶ Si la batterie dégage une odeur inhabituelle ou de la fumée : ne pas utiliser la batterie, la tenir à l'écart de toute matière inflammable.
 - ▶ Si la batterie brûle : essayer d'éteindre la batterie avec un extincteur ou de l'eau.

4.7 Utilisation

▲ AVERTISSEMENT

- Dans certaines situations, il est possible que l'utilisateur ne puisse plus travailler en toute concentration. L'utilisateur risque de trébucher, de tomber et de gravement se blesser.
 - ▶ Travailler avec calme et de façon réfléchie.
 - ▶ Si les conditions de luminosité et de visibilité sont mauvaises : ne pas utiliser la tondeuse.
 - ▶ Utiliser la tondeuse seule.
 - ▶ Faire attention aux obstacles.
 - ▶ Se positionner sur le sol de manière stable et garder l'équilibre.
 - ▶ En cas de signes de fatigue : faire une pause.
 - ▶ En cas de tonte sur un terrain en pente : tondre perpendiculairement à la pente.
 - ▶ Ne pas travailler sur des versants présentant une pente de plus de 25° (46,6 %).
- La lame en rotation peut couper l'utilisateur. L'utilisateur risque de se blesser gravement.



- ▶ Ne pas toucher la lame en rotation.
- ▶ Si la lame est bloquée par un objet : arrêter la tondeuse, retirer la clé de sécurité et enlever la batterie. Alors seulement, retirer l'objet.



- Si la tondeuse présente un comportement différent ou inhabituel pendant l'utilisation, il est possible que son état ne respecte pas les conditions de sécurité. Les personnes risquent de se blesser gravement et des dommages matériels peuvent survenir.
 - ▶ Arrêter de tondre, retirer la clé de sécurité et la batterie et demander conseil à un revendeur spécialisé STIHL.
- Lors de son utilisation, la tondeuse peut générer des vibrations.
 - ▶ Porter des gants de protection.
 - ▶ Faire des pauses.
 - ▶ En cas de signes de troubles de la circulation sanguine : consulter un médecin.
- Une fois l'arceau de commande relâché, la lame continue de tourner un court instant. Les personnes risquent de se blesser gravement.
 - ▶ Attendre que la lame ne tourne plus.
- Si la lame en rotation rencontre un objet dur, des étincelles peuvent se produire. Dans un environnement facilement inflammable, les étincelles risquent de

déclencher des incendies. Les personnes risquent des blessures graves ou mortelles et des dommages matériels peuvent survenir.

- ▶ Ne pas travailler dans un environnement facilement inflammable.
- Si la tondeuse est arrêtée sur des zones en pente, elle peut se mettre à rouler involontairement. Des personnes risquent de se blesser et des dommages matériels peuvent survenir.
 - ▶ Ne relâcher la tondeuse que lorsqu'elle se trouve sur une zone plane et ne peut pas se mettre à rouler d'elle-même.
- Si des objets sont fixés sur le guidon, la tondeuse peut basculer sous le poids supplémentaire. Des personnes risquent de se blesser et des dommages matériels peuvent survenir.
 - ▶ Ne fixer aucun objet sur le guidon.

▲ DANGER

- En cas d'utilisation à proximité de câbles électriques, la lame risque de les toucher et de les endommager. L'utilisateur risque des blessures graves, voire la mort.
 - ▶ Ne pas utiliser l'appareil à proximité de câbles électriques.
- En cas d'utilisation lors d'un orage, l'utilisateur peut être touché par la foudre. L'utilisateur risque des blessures graves, voire la mort.
 - ▶ En cas d'orage : ne pas utiliser l'appareil.

4.8 Transport

4.8.1 Tondeuse

▲ AVERTISSEMENT

- Pendant le transport, la tondeuse peut se renverser ou bouger. Les personnes peuvent être blessées et des dommages matériels peuvent survenir.



- ▶ Retirer la clé de sécurité.



- ▶ Retirer la batterie.

- ▶ Sécuriser la tondeuse avec des sangles, des courroies ou un filet de sorte qu'elle ne bascule pas et ne puisse pas bouger.
- La tondeuse est lourde. L'utilisateur risque de se blesser s'il porte seul la tondeuse.
 - ▶ Porter la tondeuse à deux.

4.8.2 Batterie

⚠ AVERTISSEMENT

- La batterie n'est pas protégée contre toutes les influences de l'environnement. Si la batterie est exposée à certaines influences de l'environnement, elle risque d'être endommagée et cela peut causer des dégâts matériels.
 - ▶ Ne pas transporter une batterie endommagée.
- Au cours du transport, la batterie risque de se renverser ou de se déplacer. Cela risque de blesser des personnes et de causer des dégâts matériels.
 - ▶ Emballer la batterie de telle sorte qu'elle ne puisse pas se déplacer à l'intérieur de son emballage.
 - ▶ Assurer l'emballage de telle sorte qu'il ne puisse pas se déplacer.

4.9 Rangement

4.9.1 Tondeuse

⚠ AVERTISSEMENT

- Les enfants ne sont pas en capacité de reconnaître et d'évaluer les dangers de la tondeuse. Les enfants risquent des blessures graves.



- ▶ Retirer la clé de sécurité.



- ▶ Retirer la batterie.

- ▶ Conserver la tondeuse hors de portée des enfants.
- Les contacts électriques de la tondeuse et les pièces métalliques peuvent subir une corrosion due à l'humidité. La tondeuse peut être endommagée.



- ▶ Retirer la clé de sécurité.




- ▶ Retirer la batterie.

- ▶ Conserver la tondeuse au propre et au sec.

4.9.2 Batterie

⚠ AVERTISSEMENT

- Les enfants ne sont pas en mesure de reconnaître et d'évaluer les dangers de la batterie. Les enfants risquent des blessures graves.
 - ▶ Conserver la batterie hors de portée des enfants.
- La batterie n'est pas protégée contre tous les facteurs ambiants. Si la batterie est exposée à certains facteurs ambiants, elle peut être endommagée irrémédiablement.
 - ▶ Conserver la batterie au propre et au sec.
 - ▶ Conserver la batterie dans une pièce fermée.
 - ▶ Ranger la batterie séparément de la tondeuse.

- ▶ Si la batterie est conservée dans le chargeur : débrancher la fiche secteur et conserver la batterie avec un niveau de charge compris entre 40 % et 60 % (2 voyants verts allumés).
- ▶ Ne pas conserver la batterie en dehors des limites de température indiquées,  21.4.

4.10 Nettoyage, entretien et réparation

AVERTISSEMENT

- Si la clé de sécurité et la batterie sont en place lors du nettoyage, de l'entretien ou de la réparation, la tondeuse risque d'être mise en marche involontairement. Les personnes risquent de se blesser gravement et des dommages matériels peuvent survenir.



- ▶ Enlever la clé de sécurité.



- ▶ Retirer la batterie.

- Des produits de nettoyage agressifs, le nettoyage avec un jeu d'eau ou des objets pointus risquent d'endommager la tondeuse, la lame et la batterie. Si la tondeuse, la lame et la batterie ne sont pas nettoyées correctement, des



composants peuvent ne plus fonctionner correctement et des dispositifs de sécurité peuvent être désactivés. Les personnes risquent de se blesser gravement.












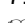






- ▶ Nettoyer la tondeuse, la lame et la batterie comme indiqué dans le présent manuel d'utilisation.
- Si la tondeuse, la lame ou la batterie ne sont pas entretenues ou réparées correctement, les composants ne peuvent plus fonctionner correctement et les dispositifs de sécurité peuvent être désactivés. Les personnes risquent des blessures graves ou mortelles.
 - ▶ Ne pas entretenir ni réparer soi-même la tondeuse et la batterie.
 - ▶ Si la tondeuse ou la batterie nécessite un entretien ou une réparation : demander conseil à un revendeur spécialisé STIHL.
 - ▶ Entretenir la lame comme indiqué dans le présent manuel d'utilisation.
- Lors du nettoyage, de l'entretien ou de la réparation de la lame, l'utilisateur peut se couper sur des tranchants affûtés. L'utilisateur risque de se blesser.
 - ▶ Porter des gants de protection en matière résistante.
- Pendant l'affûtage, la lame peut devenir très chaude. L'utilisateur risque de se brûler.
 - ▶ Attendre que la lame soit refroidie.
 - ▶ Porter des gants de protection en matière résistante.

5 Préparation de la tondeuse

5.1 Préparation de la tondeuse


Avant chaque utilisation, effectuer impérativement les opérations suivantes :

- ▶ Retirer les emballages et les sécurités de transport.
- ▶ S'assurer que les composants suivants sont dans un état conforme aux règles de sécurité :
 - Tondeuse,  4.6.1.
 - Lame,  4.6.2.

- Batterie,  4.6.3.
- ▶ Contrôler la batterie,  12.3.
- ▶ Recharger la batterie entièrement,  6.1.
- ▶ Nettoyer la tondeuse,  17.2.
- ▶ Contrôler la lame,  12.2.
- ▶ Monter le guidon,  7.1.
- ▶ Relever et régler le guidon,  8.1.
- ▶ Si l'herbe tondue doit être collectée dans le bac de ramassage :
 - ▶ Décrocher le guidage,  7.3.2.
 - ▶ Retirer l'obturateur mulching,  7.3.2.
 - ▶ Accrocher le bac de ramassage,  7.2.1.
- ▶ Si l'herbe tondue doit être dirigée vers le sol par le côté :
 - ▶ Retirer l'obturateur mulching,  7.3.2.
 - ▶ Décrocher le bac de ramassage,  7.2.2.
 - ▶ Accrocher le guidage,  7.4.1.
- ▶ En cas de mulching :
 - ▶ Décrocher le guidage,  7.4.2.
 - ▶ Décrocher le bac de ramassage,  7.2.2.
 - ▶ Accrocher l'obturateur mulching,  7.3.1.
- ▶ Régler la hauteur de coupe,  13.2.
- ▶ Contrôler les éléments de commande,  12.1.
- ▶ Si les différentes opérations ne peuvent pas être effectuées : ne pas utiliser la tondeuse et demander conseil à un revendeur spécialisé STIHL.

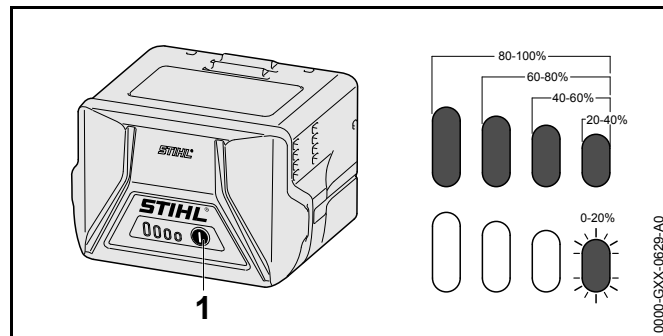
6 Recharge de la batterie et DEL

6.1 Recharge de la batterie

La durée de recharge dépend de différents facteurs, par ex. la température de la batterie ou la température ambiante. Pour une performance optimale, respecter les plages de température recommandées,  21.5. La durée de recharge réelle peut varier par rapport à celle indiquée. La durée de recharge est indiquée sous www.stihl.com/charging-times.

- ▶ Charger la batterie, comme indiqué dans le manuel d'utilisation des chargeurs STIHL AL 101, 301, 500.

6.2 Affichage du niveau de charge




- ▶ Enfoncer la touche (1). Les diodes électroluminescentes (DEL) s'allument de couleur verte pendant env. 5 secondes et indiquent le niveau de charge actuel.
- ▶ Si la DEL droite clignote de couleur verte : recharger la batterie.

6.3 Voyants sur la batterie

Les voyants peuvent indiquer le niveau de charge de la batterie ou des dysfonctionnements. Les voyants peuvent s'allumer ou clignoter en rouge ou en vert.

Si les voyants s'allument ou clignotent en vert, le niveau de charge est affiché.

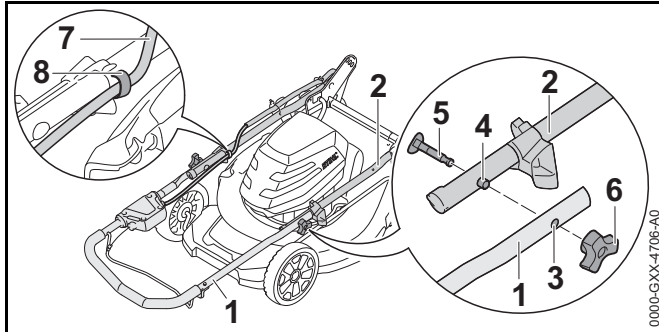
- ▶ Si les voyants s'allument ou clignotent en rouge : résoudre les anomalies,  20.1. La tondeuse ou la batterie présente une anomalie.

7 Assemblage de la tondeuse à gazon

7.1 Montage du guidon

- ▶ Arrêter la tondeuse, retirer la clé de sécurité et enlever la batterie.

- ▶ Placer la tondeuse sur une surface plane.

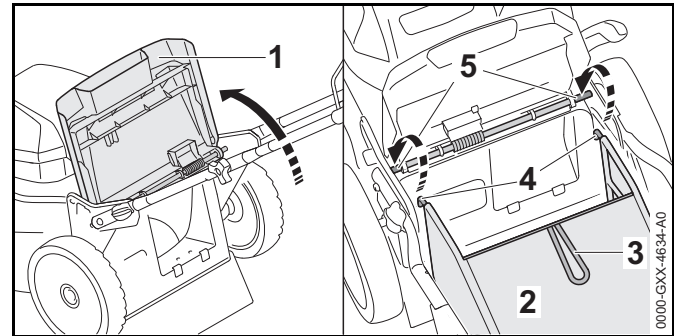


- ▶ Aligner la partie supérieure (1) et la partie inférieure du guidon (2) de sorte que le tourillon (4) s'engrène dans l'alésage (3) des deux côtés.
 - ▶ Insérer la vis (5) et l'aligner de manière à ce que la tête de la vis soit de niveau avec la partie inférieure du guidon (2) des deux côtés.
 - ▶ Visser la molette de serrage (6).
 - ▶ Pousser le câble (7) dans le support (8).
- Il ne faut plus démonter le guidon.

7.2 Accrochage et décrochage du bac de ramassage

7.2.1 Accrochage du bac de ramassage

- ▶ Arrêter la tondeuse, retirer la clé de sécurité et enlever la batterie.
- ▶ Placer la tondeuse sur une surface plane.
- ▶ Si le guidage est accroché : décrocher le guidage.
- ▶ Si l'obturateur mulching est en place : retirer l'obturateur mulching.



- ▶ Ouvrir et maintenir le volet d'éjection (1).
- ▶ Saisir le bac de ramassage (2) par la poignée (3) et accrocher les crochets (4) au niveau de l'axe (5).
- ▶ Poser le volet d'éjection (1) sur le bac de ramassage (2).

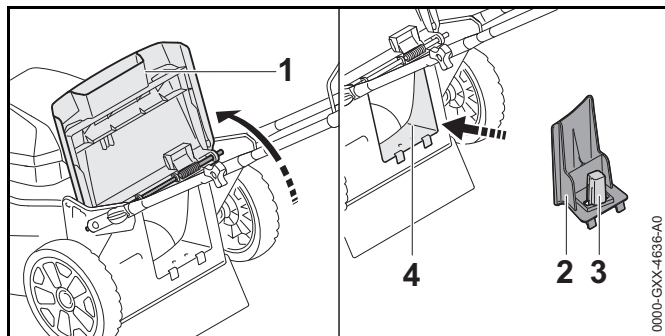
7.2.2 Décrochage du bac de ramassage

- ▶ Arrêter la tondeuse.
- ▶ Placer la tondeuse sur une surface plane.
- ▶ Ouvrir et maintenir le volet d'éjection.
- ▶ Déposer le bac de ramassage par le haut à l'aide de la poignée.
- ▶ Fermer le volet d'éjection.

7.3 Mise en place et retrait de l'obturateur mulching

7.3.1 Mise en place de l'obturateur mulching

- ▶ Arrêter la tondeuse, retirer la clé de sécurité et enlever la batterie.
- ▶ Placer la tondeuse sur une surface plane.



- ▶ Ouvrir et maintenir le volet d'éjection (1).
- ▶ Saisir l'obturateur mulching (2) par la poignée (3) et le mettre en place dans le canal d'éjection (4).
- ▶ Fermer le volet d'éjection (1).

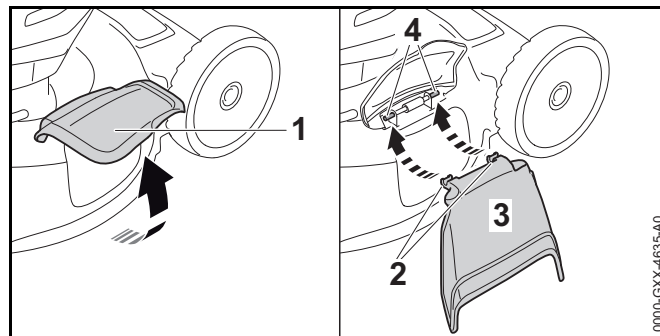
7.3.2 Retrait de l'obturateur mulching

- ▶ Arrêter la tondeuse, retirer la clé de sécurité et enlever la batterie.
- ▶ Placer la tondeuse sur une surface plane.
- ▶ Ouvrir et maintenir le volet d'éjection.
- ▶ Retirer l'obturateur mulching.
- ▶ Fermer le volet d'éjection.

7.4 Accrochage et décrochage du guidage

7.4.1 Accrochage du guidage

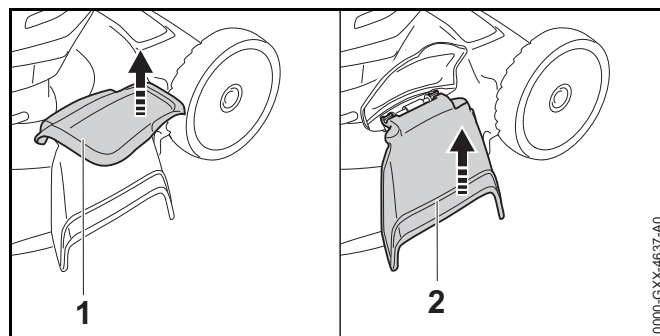
- ▶ Arrêter la tondeuse, retirer la clé de sécurité et enlever la batterie.
- ▶ Placer la tondeuse sur une surface plane.



- ▶ Ouvrir et maintenir le volet d'éjection latérale (1).
- ▶ Accrocher le crochet (2) sur l'axe (4) par le bas.
- ▶ Poser le volet d'éjection latérale (1) sur le guidage (3).

7.4.2 Décrochage du guidage

- ▶ Arrêter la tondeuse, retirer la clé de sécurité et enlever la batterie.
- ▶ Placer la tondeuse sur une surface plane.

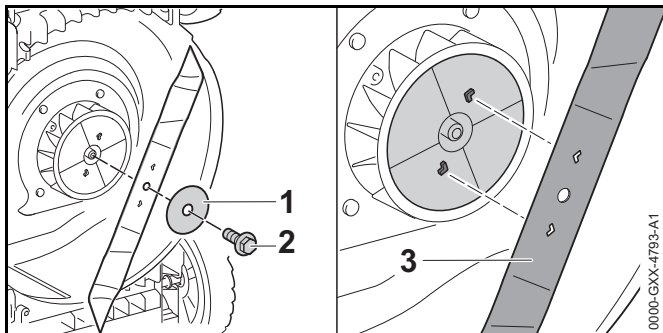


- ▶ Ouvrir et maintenir le volet d'éjection latérale (1).
- ▶ Rabattre le guidage (2) vers le haut et le déposer.
- ▶ Fermer le volet d'éjection latérale (1).

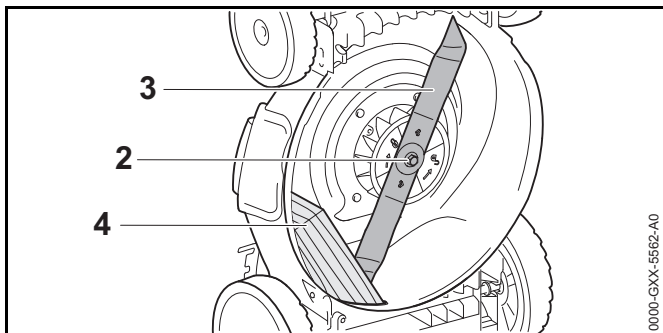
7.5 Montage et démontage de la lame

7.5.1 Montage de la lame

- ▶ Arrêter la tondeuse, retirer la clé de sécurité et enlever la batterie.
- ▶ Mettre la tondeuse en position verticale.



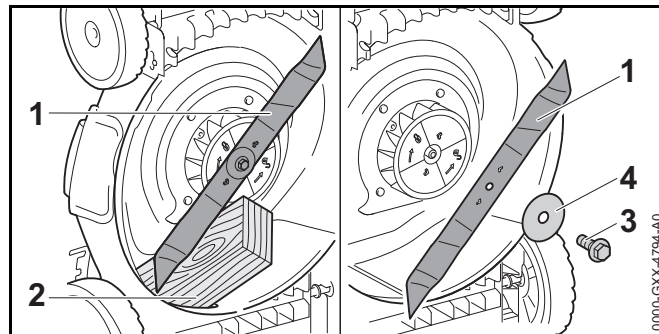
- ▶ Poser la rondelle neuve (1) sur la vis neuve (2).
- ▶ Appliquer du frein filet Loctite 243 ou Loctite 242 sur le filetage de la vis (2).
- ▶ Placer la lame (3) de sorte que les reliefs de la surface d'appui s'encastrant dans les évidements de la lame (3).



- ▶ Serrer la vis (2) avec la rondelle (1).
- ▶ Bloquer la lame (3) avec un morceau de bois (4).
- ▶ Serrer la vis (2) à un couple de 35 Nm.

7.5.2 Démontage de la lame

- ▶ Arrêter la tondeuse, retirer la clé de sécurité et enlever la batterie.
- ▶ Mettre la tondeuse en position verticale.

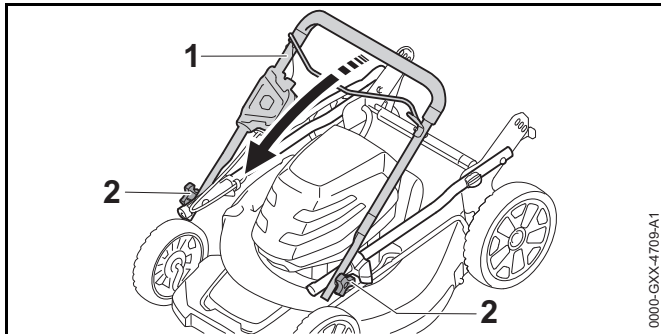


- ▶ Bloquer la lame (1) avec un morceau de bois (2).
- ▶ Dévisser la vis (3) et la déposer avec la rondelle (4).
- ▶ Déposer la lame (1).
- ▶ Jeter la vis (3) et la rondelle (4).
Utiliser une vis et une rondelle neuves pour monter la lame (1).

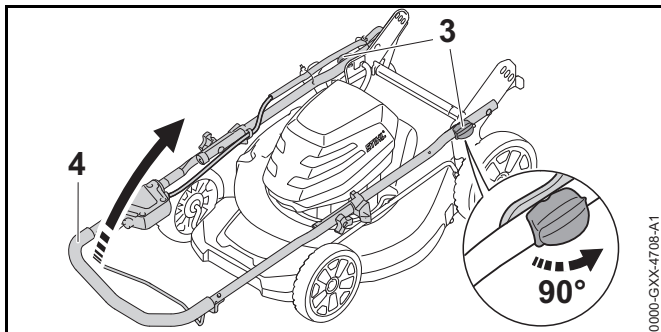
8 Réglage de la tondeuse pour l'utilisateur

8.1 Relevage et réglage du guidon

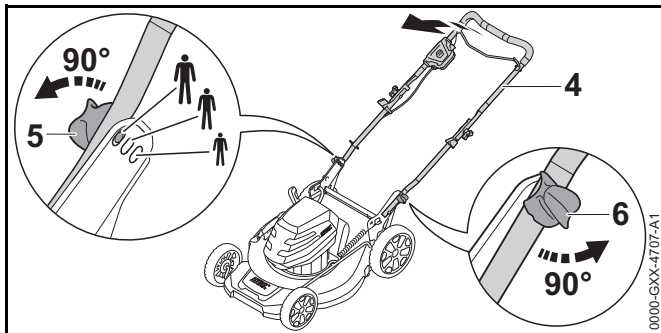
- ▶ Arrêter la tondeuse, retirer la clé de sécurité et enlever la batterie.
- ▶ Placer la tondeuse sur une surface plane.



- ▶ Déplier la partie supérieure du guidon (1).
- ▶ Serrer les molettes de serrage (2).



- ▶ Tourner le levier (3) de 90°.
- ▶ Déplier entièrement le guidon (4).



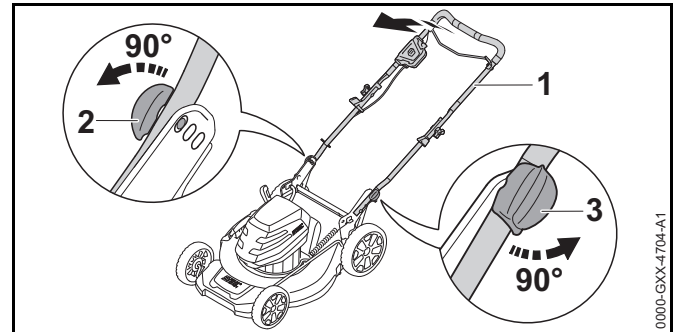
- ▶ Aligner le guidon (4) de sorte que les boulons des leviers (5 et 6) coïncident avec les positions souhaitées.

- ▶ Tourner les leviers (5 et 6) de 90°.
Les boulons des leviers (5 et 6) s'enclenchent dans les alésages à la même hauteur.

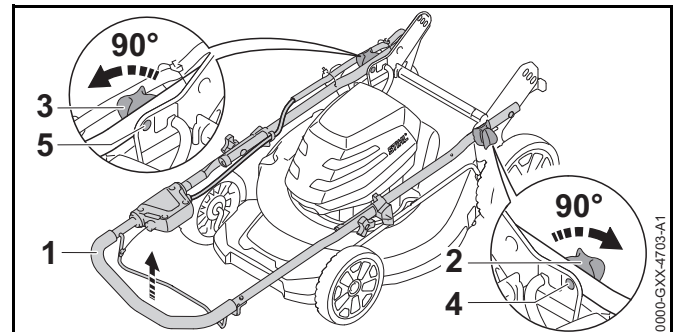
8.2 Pliage du guidon

Le guidon peut être replié pour un transport ou un rangement compacts de l'appareil.

- ▶ Arrêter la tondeuse, retirer la clé de sécurité et enlever la batterie.
- ▶ Placer la tondeuse sur une surface plane.

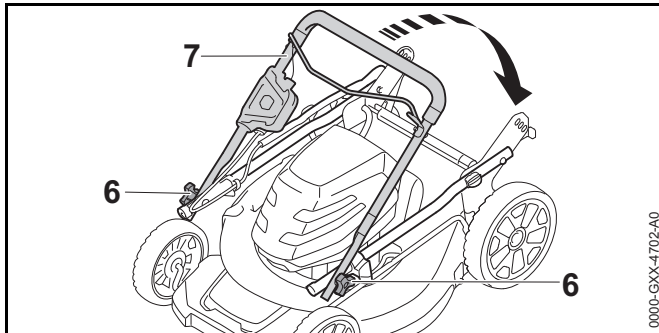


- ▶ Tenir le guidon (1) et tourner (2) le levier de 90°.
- ▶ Tourner le levier (3) de 90°.
- ▶ Replier le guidon (1).



- ▶ Tourner les deux leviers (2 et 3) de 90°.

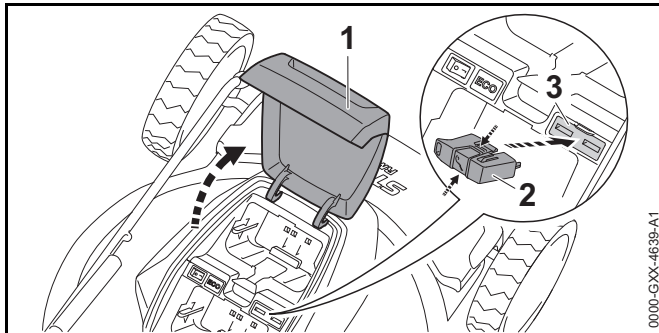
- ▶ Pousser le guidon (1) vers le haut jusqu'à ce que les boulons (4 et 5) des leviers (2 et 3) s'enclenchent. Le guidon (1) est fixé.



- ▶ Desserrer les molettes de serrage (6).
- ▶ Plier la partie supérieure du guidon (7).

9 Insertion et retrait de la clé de sécurité

9.1 Insertion de la clé de sécurité



- ▶ Ouvrir le volet (1) jusqu'en butée et le tenir.
- ▶ Enfoncer la clé de sécurité (2) et la maintenir ainsi.
- ▶ Insérer la clé de sécurité (2) dans son logement (3). La clé de sécurité (2) s'enclenche en produisant un déclic.
- ▶ Fermer le volet (1).

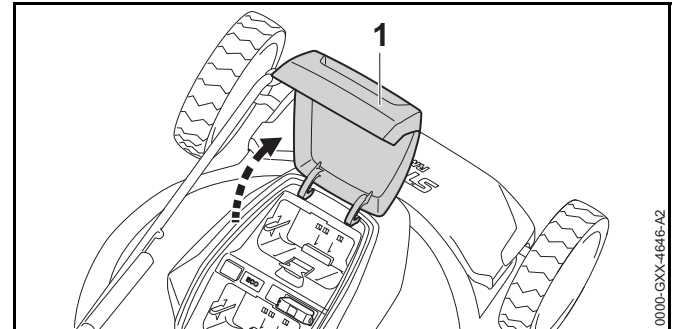
9.2 Retrait de la clé de sécurité

- ▶ Ouvrir le volet jusqu'en butée et le maintenir.
- ▶ Enfoncer la clé de sécurité et la maintenir ainsi.
- ▶ Retirer la clé de sécurité.
- ▶ Fermer le volet.
- ▶ Conserver la clé de sécurité hors de portée des enfants.

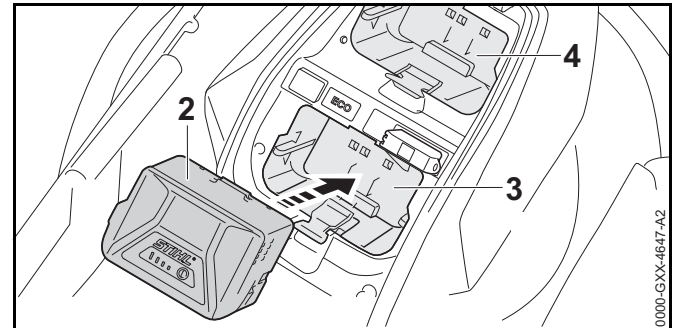
10 Introduction et extraction de la batterie

10.1 Mise en place de la batterie

La tondeuse est équipée de deux compartiments batteries. Il est possible de transporter une batterie de rechange.



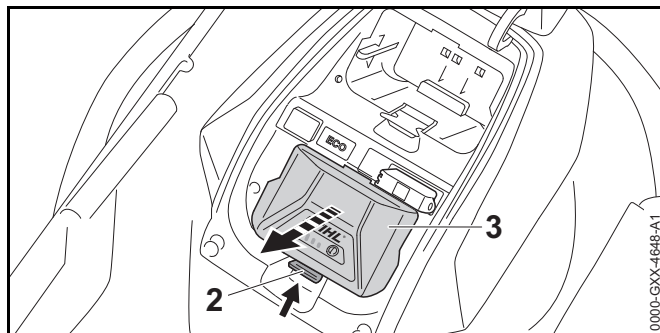
- ▶ Ouvrir le volet (1) jusqu'en butée et le maintenir.



- ▶ Pousser la batterie (2) dans le compartiment batterie (3) jusqu'en butée.
La batterie (2) s'enclenche en produisant un clic et est verrouillée.
- ▶ Si une batterie de rechange doit être transportée : mettre en place la batterie de rechange dans le compartiment batterie (4).
La batterie s'enclenche en produisant un clic et est verrouillée.
- ▶ Fermer le volet (1).

10.2 Retrait de la batterie

- ▶ Placer la tondeuse sur une surface plane.
- ▶ Ouvrir le volet (1) jusqu'en butée et le maintenir.

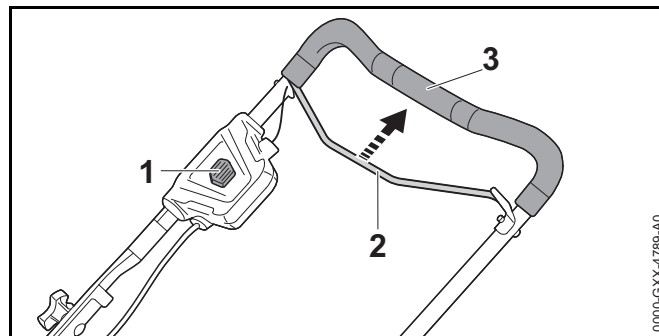


- ▶ Pousser le levier de blocage (2).
La batterie (3) est déverrouillée et peut être retirée.
- ▶ Fermer le volet (1).

11 Mise en marche et arrêt de la tondeuse à gazon

11.1 Mise en marche de la tondeuse

- ▶ Placer la tondeuse sur une surface plane.



- ▶ De la main droite, appuyer sur le bouton de blocage (1) et le maintenir enfoncé.
- ▶ De la main gauche, tirer au maximum l'arceau de commande (2) en direction du guidon (3) et le tenir de sorte que le pouce tienne également le guidon (3).
La lame tourne.
- ▶ Relâcher le bouton de blocage (1).
- ▶ Avec la main droite, tenir le guidon (3) et l'arceau de commande de tonte (2) de sorte que le pouce tienne également le guidon (3).

11.2 Arrêt de la tondeuse

- ▶ Relâcher l'arceau de commande.
- ▶ Attendre que la lame ne tourne plus.
- ▶ Si la lame continue à tourner : retirer la clé de sécurité et la batterie et demander conseil à un revendeur spécialisé STIHL.
La tondeuse est défectueuse.

12 Contrôle de la tondeuse et de la batterie

12.1 Contrôle des éléments de commande

Bouton de blocage et arceau de commande

- ▶ Retirer la clé de sécurité.
- ▶ Retirer la batterie.

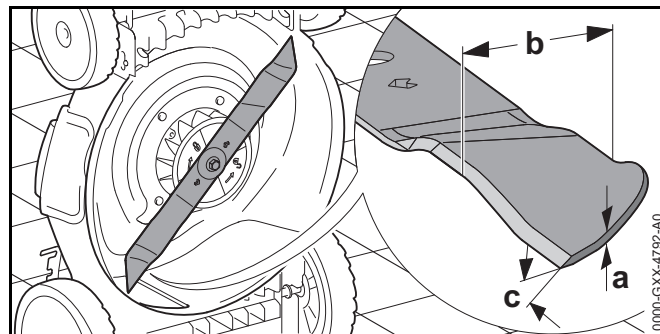
- ▶ Appuyer sur le bouton de blocage, puis le relâcher.
- ▶ Tirer au maximum l'arceau de commande en direction du guidon, puis le relâcher.
- ▶ Si le bouton de blocage ou l'arceau de commande est grippé ou ne revient pas dans sa position initiale : ne pas utiliser la tondeuse et demander conseil à un revendeur spécialisé STIHL.
Le bouton de blocage ou l'arceau de commande est défectueux.



Activation de la lame

- ▶ Insérer la clé de sécurité.
- ▶ Mettre en place la batterie.
- ▶ De la main droite, appuyer sur le bouton de blocage et le maintenir enfoncé.
- ▶ De la main gauche, tirer au maximum l'arceau de commande en direction du guidon et le tenir de sorte que le pouce tienne également le guidon.
La lame tourne.
- ▶ Si 3 voyants clignotent en rouge : retirer la clé de sécurité et la batterie et demander conseil à un revendeur spécialisé STIHL.
La tondeuse présente une anomalie.
- ▶ Relâcher le bouton de blocage et l'arceau de commande.
La lame s'arrête rapidement de tourner.
- ▶ Si la lame continue à tourner : retirer la clé de sécurité et la batterie et demander conseil à un revendeur spécialisé STIHL.
La tondeuse est défectueuse.

12.2 Contrôle de la lame

- ▶ Arrêter la tondeuse, retirer la clé de sécurité et enlever la batterie.
- ▶ Mettre la tondeuse en position verticale.



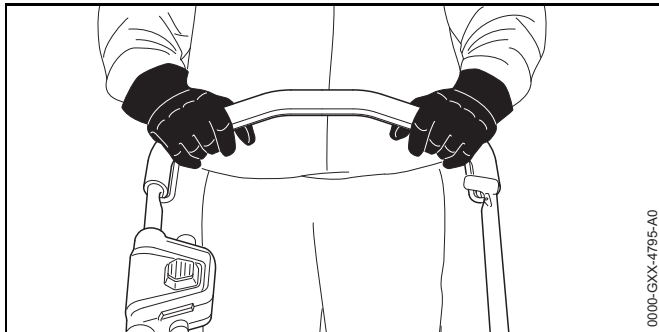
- ▶ Contrôler les points suivants :
 - Épaisseur a
 - Largeur b
 - Angle de coupe c
- ▶ Si l'épaisseur et la largeur de la lame sont inférieures aux valeurs minimales : remplacer la lame,  21.2.
- ▶ Si l'angle de coupe n'est pas respecté : affûter la lame,  21.2.
- ▶ En cas de doute : demander conseil à un revendeur spécialisé STIHL.

12.3 Contrôle de la batterie

- ▶ Appuyer sur la touche de la batterie.
Les DEL sont allumées continuellement ou clignotent.
- ▶ Si les DEL ne sont pas allumées continuellement et ne clignotent pas non plus : ne pas utiliser la batterie, mais consulter un revendeur spécialisé STIHL.
Il y a un dérangement dans la batterie.

13 Utilisation de la tondeuse

13.1 Conduite et guidage de la tondeuse



- ▶ Tenir le guidon des deux mains de sorte que les pouces l'entourent également.

13.2 Réglage de la hauteur de coupe

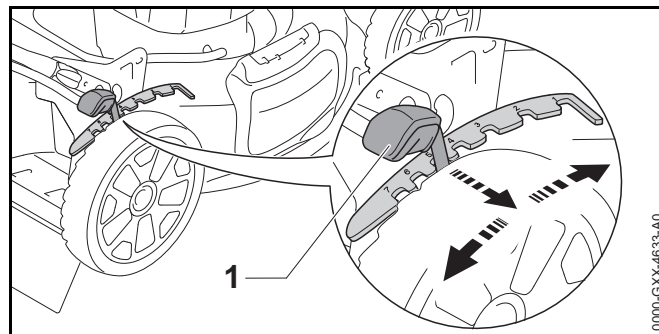
En fonction de l'application, il est possible de régler 7 hauteurs de coupe :

- 35 mm = position 1
- 50 mm = position 2
- 63 mm = position 3
- 74 mm = position 4
- 83 mm = position 5
- 90 mm = position 6
- 98 mm = position 7

Les positions sont indiquées sur la tondeuse.

Réglage de la hauteur de coupe

- ▶ Arrêter la tondeuse.
La lame ne doit pas tourner.
- ▶ Placer la tondeuse sur une surface plane.

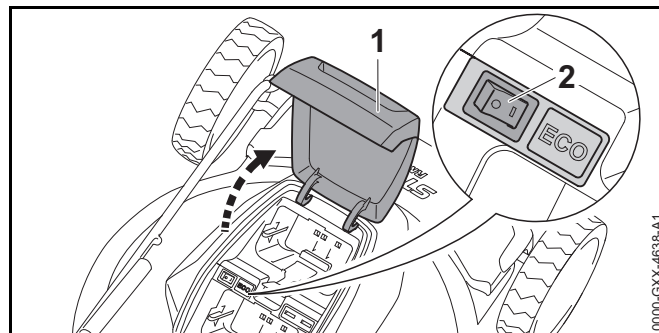


- ▶ Retirer le levier (1) de la découpe et le placer à la position souhaitée.

13.3 Activation du mode ECO

Lorsque le mode ECO est activé, la tondeuse reconnaît les conditions d'utilisation définies et règle automatiquement la vitesse de rotation adaptée de la lame.

La durée de fonctionnement de la batterie peut ainsi être prolongée.




- ▶ Ouvrir le volet (1) jusqu'en butée et le maintenir.
- ▶ Placer l'interrupteur ECO (2) en position I.
- ▶ Fermer le volet (1).

13.4 Tonte et mulching




- ▶ Pousser la tondeuse lentement et de manière contrôlée.

Pour une performance optimale, respecter les plages de température recommandées,  21.5.

14 Après le travail

14.1 Après l'utilisation

- ▶ Arrêter la tondeuse, retirer la clé de sécurité et enlever la batterie.
- ▶ Si la tondeuse est mouillée : laisser sécher la tondeuse.
- ▶ Si la batterie est mouillée ou humide : la laisser sécher,  21.5.
- ▶ Nettoyer la tondeuse.
- ▶ Nettoyer la batterie.

15 Transport

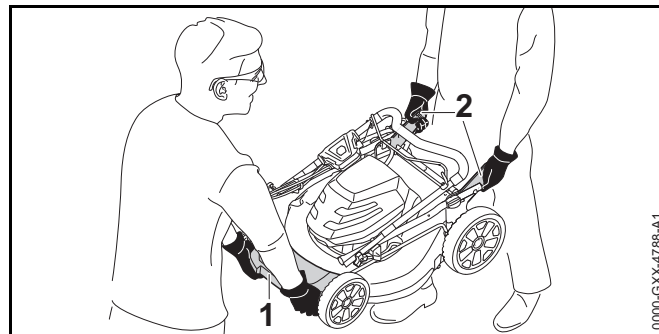
15.1 Transport de la tondeuse

- ▶ Arrêter la tondeuse.
La lame ne doit pas tourner.
- ▶ Retirer la clé de sécurité et la batterie.

Pour pousser la tondeuse

- ▶ Pousser la tondeuse lentement et de manière contrôlée.

Pour porter la tondeuse



- ▶ Replier le guidon.
- ▶ Porter des gants de protection en matière résistante.
- ▶ Porter la tondeuse à deux, l'une des personnes tenant la tondeuse des deux mains au niveau du cache (1) et l'autre personne la tenant des deux mains au niveau des consoles (2).

Transport de la tondeuse dans un véhicule

- ▶ Sécuriser la tondeuse sur ses quatre roues de sorte qu'elle ne bascule pas et ne puisse pas bouger.

15.2 Transport de la batterie

- ▶ Arrêter la tondeuse et enlever la batterie.
- ▶ S'assurer que la batterie est en bon état de fonctionnement.

- ▶ Emballer la batterie de manière à ce qu'elle ne puisse pas bouger dans l'emballage.
- ▶ Fixer l'emballage de manière à ce qu'il ne puisse pas bouger.

La batterie est soumise aux exigences relatives au transport de marchandises dangereuses. La batterie est classée comme UN 3480 (batteries lithium-ion) et a été vérifiée conformément aux vérifications et critères du Manuel des Nations Unies, partie III, sous-section 38.3.

Les consignes de transport sont disponibles sous www.stihl.com/safety-data-sheets.

16 Rangement

16.1 Remisage de la tondeuse

- ▶ Arrêter la tondeuse, retirer la clé de sécurité et enlever la batterie.
- ▶ Remiser la tondeuse en respectant les conditions suivantes :
 - La tondeuse se trouve hors de portée des enfants.
 - La tondeuse est propre et sèche.
 - La tondeuse ne peut pas se renverser.
 - La tondeuse ne peut pas se mettre à rouler.

16.2 Entreposage de la batterie

STIHL recommande d'entreposer la batterie à un niveau de charge situé entre 40 % et 60 % (2 voyants allumés en vert).

- ▶ Entreposer la batterie en respectant les conditions suivantes :
 - La batterie se trouve hors de portée des enfants.
 - La batterie est propre et sèche.
 - La batterie se trouve dans une pièce fermée.
 - La batterie est séparée de la tondeuse.
 - Si la batterie est conservée dans le chargeur : débrancher la fiche secteur et conserver la batterie avec un niveau de charge compris entre 40 % et 60 % (2 voyants verts allumés).

- La batterie n'est pas conservée en dehors des limites de température indiquées,  21.4.

AVIS

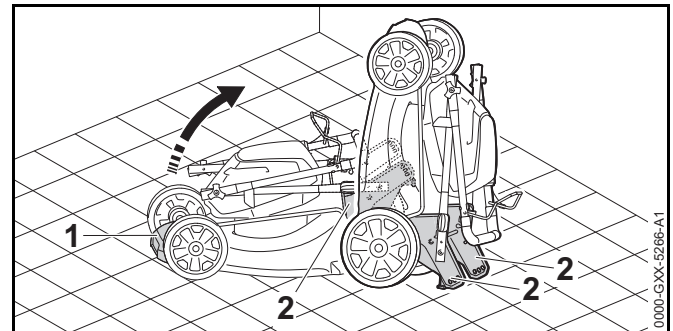
Si la batterie n'est pas conservée de la manière décrite dans le présent manuel d'utilisation, elle risque de se décharger profondément et d'être irrémédiablement endommagée.

- ▶ Recharger une batterie déchargée avant de la ranger. STIHL recommande d'entreposer la batterie à un niveau de charge situé entre 40 % et 60 % (2 voyants allumés en vert).
- ▶ Ranger la batterie séparément de la tondeuse.

17 Nettoyage

17.1 Mise en position verticale de la tondeuse

- ▶ Arrêter la tondeuse, retirer la clé de sécurité et enlever la batterie.
- ▶ Placer la tondeuse sur une surface plane.
- ▶ Régler la hauteur de coupe à la position 4.
- ▶ Replier le guidon.



- ▶ Saisir la tondeuse en plaçant une main sur le cache (1) et l'autre main sur la console (2).
- ▶ Relever la tondeuse de manière à ce que les consoles (2) soient en contact avec le sol.

17.2 Nettoyage de la tondeuse

- ▶ Arrêter la tondeuse, retirer la clé de sécurité et enlever la batterie.
- ▶ Nettoyer la tondeuse avec un chiffon humide.
- ▶ Nettoyer le canal d'éjection et le canal d'éjection latérale à l'aide d'une brosse douce ou d'un chiffon humide.
- ▶ Éliminer les corps étrangers du compartiment batterie et le nettoyer avec un chiffon humide.
- ▶ Nettoyer les contacts électriques du compartiment batterie à l'aide d'un pinceau ou d'une brosse douce.
- ▶ Nettoyer la fente d'aération avec un pinceau.
- ▶ Mettre la tondeuse en position verticale.
- ▶ Nettoyer la lame et la zone périphérique à l'aide d'un bout de bois, d'une brosse douce ou d'un chiffon humide.

17.3 Nettoyage de la batterie

- ▶ Nettoyer la batterie avec un chiffon humide.

18 Maintenance

18.1 Affûtage et équilibrage de la lame

L'affûtage et l'équilibrage de la lame nécessitent une longue pratique.

Les limes STIHL, les gabarits d'affûtage STIHL et les affûteuses STIHL aident à affûter correctement la lame.

STIHL recommande de faire affûter et équilibrer la lame par un revendeur spécialisé STIHL.

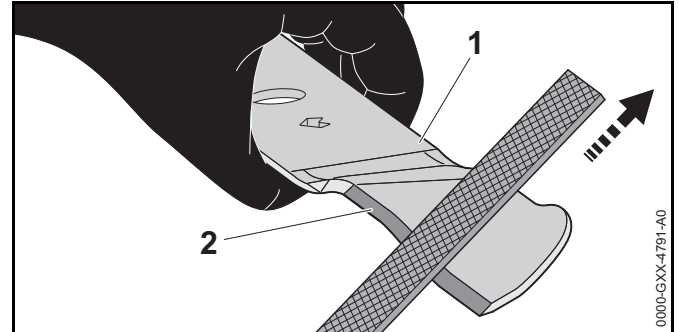


AVERTISSEMENT

Les tranchants de la lame sont très aiguisés. L'utilisateur risque de se couper.

- ▶ Porter des gants de protection en matière résistante.
-
- ▶ Arrêter la tondeuse, retirer la clé de sécurité et enlever la batterie.
 - ▶ Mettre la tondeuse en position verticale.

- ▶ Démonter la lame.



- ▶ À l'aide d'une lime plate STIHL, affûter le tranchant (2) en effectuant un mouvement en avant. Lors de cette opération, respecter l'angle de coupe, 21.2.
- ▶ Retourner la lame (1).
- ▶ Affûter l'autre tranchant (2).
- ▶ Remonter la lame.
- ▶ En cas de doute : demander conseil à un revendeur spécialisé STIHL.

19 Réparation

19.1 Réparation de la tondeuse et de la batterie


L'utilisateur ne doit pas réparer lui-même la tondeuse, la lame et la batterie.

- ▶ Si la tondeuse ou la lame sont endommagées : ne pas utiliser la tondeuse ni la lame et demander conseil à un revendeur spécialisé STIHL.
- ▶ Si la batterie est défectueuse ou endommagée : la remplacer.
- ▶ Si les pictogrammes sont illisibles ou endommagés : faire remplacer les pictogrammes par un revendeur spécialisé STIHL.

20 Dépannage

20.1 Résolution des dysfonctionnements de la tondeuse ou de la batterie

Dysfonctionnement	Voyants sur la batterie	Cause	Solutions
La tondeuse ne démarre pas à la mise en marche.	1 voyant clignote en vert.	Le niveau de charge de la batterie est insuffisant.	<ul style="list-style-type: none"> ▶ Recharger la batterie.
	1 voyant est allumé en rouge.	La batterie est trop chaude ou trop froide.	<ul style="list-style-type: none"> ▶ Enlever la clé de sécurité. ▶ Retirer la batterie. ▶ Laisser refroidir la batterie ou la réchauffer.
	3 voyants clignent en rouge.	La tondeuse présente une anomalie.	<ul style="list-style-type: none"> ▶ Enlever la clé de sécurité. ▶ Retirer la batterie. ▶ Nettoyer les contacts électriques dans le compartiment batterie. ▶ Mettre en place la batterie. ▶ Mettre en marche la tondeuse. ▶ Si 3 voyants continuent de clignoter en rouge : ne pas utiliser la tondeuse et demander conseil à un revendeur spécialisé STIHL.
	3 voyants sont allumés en rouge.	La tondeuse est trop chaude.	<ul style="list-style-type: none"> ▶ Enlever la clé de sécurité. ▶ Retirer la batterie. ▶ Laisser refroidir la tondeuse.
	4 voyants clignent en rouge.	La batterie présente une anomalie.	<ul style="list-style-type: none"> ▶ Retirer la batterie et la remettre en place. ▶ Mettre en marche la tondeuse. ▶ Si 4 voyants continuent de clignoter en rouge : ne pas utiliser la batterie et demander conseil à un revendeur spécialisé STIHL.
		Le branchement électrique entre la tondeuse et la batterie est coupé.	<ul style="list-style-type: none"> ▶ Enlever la clé de sécurité. ▶ Retirer la batterie. ▶ Nettoyer les contacts électriques dans le compartiment batterie. ▶ Insérer la clé de sécurité. ▶ Mettre en place la batterie.

Dysfonctionnement	Voyants sur la batterie	Cause	Solutions
		La tondeuse ou la batterie sont humides.	<ul style="list-style-type: none"> ▶ Enlever la clé de sécurité. ▶ Retirer la batterie. ▶ Nettoyer la tondeuse. ▶ Laisser sécher la tondeuse ou la batterie  21.5.
		La résistance au niveau de la lame est trop importante.	<ul style="list-style-type: none"> ▶ Régler une hauteur de coupe supérieure. ▶ Démarrer la tondeuse dans de l'herbe moins haute.
La tondeuse s'arrête pendant le fonctionnement.	3 voyants sont allumés en rouge.	La tondeuse est trop chaude.	<ul style="list-style-type: none"> ▶ Enlever la clé de sécurité. ▶ Retirer la batterie. ▶ Laisser refroidir la tondeuse. ▶ Nettoyer la tondeuse. ▶ Ne pas démarrer la tondeuse trop souvent en peu de temps. ▶ Avancer plus lentement. ▶ Régler une hauteur de coupe supérieure. ▶ Tondre dans de l'herbe moins haute.
		La lame est bloquée.	<ul style="list-style-type: none"> ▶ Enlever la clé de sécurité. ▶ Retirer la batterie. ▶ Nettoyer la tondeuse.
		Une anomalie électrique s'est produite.	<ul style="list-style-type: none"> ▶ Retirer la batterie et la remettre en place. ▶ Mettre en marche la tondeuse.
Le temps de fonctionnement de la tondeuse est trop court.		La batterie n'est pas complètement rechargée.	<ul style="list-style-type: none"> ▶ Recharger la batterie entièrement.
		La durée de vie de la batterie a été dépassée.	<ul style="list-style-type: none"> ▶ Remplacer la batterie.
Le processus de recharge ne démarre pas après la mise en place de la batterie dans le chargeur.	1 voyant est allumé en rouge.	La batterie est trop chaude ou trop froide.	<ul style="list-style-type: none"> ▶ Laisser la batterie en place dans le chargeur. Le processus de recharge démarre automatiquement dès que la plage de température autorisée est atteinte.

21 Caractéristiques techniques

21.1 Tondeuse STIHL RMA 460

- Batterie autorisée : STIHL AK
- Poids sans batterie : 25 kg
- Capacité maximale du bac de ramassage : 60 l
- Largeur de coupe : 46 cm
- Régime : 3 200 tr/min
- Régime en mode ECO : 2 800 tr/min

La durée de fonctionnement est indiquée à la page www.stihl.com/battery-life.

21.2 Lame

- Épaisseur : 2,5 mm
- Épaisseur minimale : 2,0 mm
- Largeur : 50 mm
- Largeur minimale : 45 mm
- Angle de coupe : 30°

21.3 Batterie STIHL AK

- Technologie de batterie : lithium-ion
- Tension : 36 V
- Capacité en Ah : voir plaque signalétique
- Capacité énergétique en Wh : voir plaque signalétique
- Poids en kg : voir plaque signalétique

21.4 Limites de température

AVERTISSEMENT

La batterie n'est pas protégée contre tous les facteurs ambiants. Si la batterie est exposée à certains facteurs ambiants, elle peut s'enflammer ou exploser. Les personnes risquent de se blesser gravement et des dommages matériels peuvent survenir.

- ▶ Ne pas charger la batterie à une température inférieure à - 20 °C ou supérieure à + 50 °C.
- ▶ Ne pas utiliser la tondeuse ou la batterie à des températures inférieures à - 20 °C ou supérieures à + 50 °C.
- ▶ Ne pas utiliser la tondeuse ou la batterie à des températures inférieures à - 20 °C ou supérieures à + 70 °C.

21.5 Plages de température recommandées

Pour une performance optimale de la tondeuse et des batteries, respecter les plages de température suivantes :

- Chargement : + 5 °C à + 40 °C
- Utilisation : - 10 °C à + 40 °C
- Rangement de l'appareil : - 20 °C à + 50 °C

Si la batterie est chargée, utilisée ou conservée en dehors des plages de température recommandées, ses performances peuvent être réduites.

Si la batterie est mouillée ou humide, la laisser sécher pendant au moins 48 h à une température supérieure à + 15 °C et inférieure à + 50 °C et à un taux d'humidité inférieur à 70 %. Un taux d'humidité plus élevé peut prolonger le temps de séchage.

21.6 Références normatives

STIHL Tirol GmbH
Hans Peter Stihl-Straße 5
6336 Langkampfen
Autriche

confirme que l'appareil est conforme aux prescriptions en application des normes suivantes CEI 60335-1 et CEI 60335-2-77.

21.7 REACH

REACH (enRegistrement, Evaluation et Autorisation des substances CHimiques) est le nom d'un règlement CE qui couvre le contrôle de la fabrication, de l'importation, de la mise sur le marché et de l'utilisation des substances chimiques.


Pour obtenir de plus amples informations sur le respect du règlement REACH, voir www.stihl.com/reach.

Une élimination inappropriée peut nuire à la santé et polluer l'environnement.

- ▶ Apportez les produits STIHL, y compris l'emballage, à un point de collecte approprié pour le recyclage, conformément à la réglementation locale.
- ▶ Ne pas jeter avec les ordures ménagères.

22 Pièces de rechange et accessoires

22.1 Pièces de rechange et accessoires

STIHL  Ces symboles identifient les pièces de rechange d'origine STIHL et les accessoires d'origine STIHL.

STIHL recommande d'utiliser des pièces de rechange d'origine STIHL et des accessoires d'origine STIHL.

Bien que STIHL observe continuellement les marchés, ses services ne peuvent pas évaluer la fiabilité, la sécurité, ni les aptitudes de pièces de rechange et d'accessoires d'autres fabricants et c'est pourquoi STIHL se dégage de toute responsabilité quant à leur utilisation.

Pour obtenir des pièces de rechange d'origine STIHL et des accessoires d'origine STIHL, s'adresser à un revendeur spécialisé STIHL.

23 Mise au rebut

23.1 Mise au rebut de la tondeuse et de la batterie

Les informations relatives à l'élimination sont disponibles auprès de l'administration locale ou d'un revendeur STIHL.

Índice

1	Prólogo	59	8	Ajustar el cortacésped para el usuario	74
2	Informaciones relativas a estas instrucciones para la reparación	59	8.1	Desplegar y ajustar el manillar	74
2.1	Documentación aplicable	59	8.2	Plegar el manillar	75
2.2	Marca de las indicaciones de advertencia en el texto	60	9	Insertar la llave de seguridad y retirarla	75
2.3	Símbolos en el texto	60	9.1	Insertar la llave de seguridad	75
3	Sinopsis	60	9.2	Retirar la llave de seguridad	76
3.1	Cortacésped y batería	60	10	Colocar y sacar el acumulador	76
3.2	Símbolos	61	10.1	Colocar la batería	76
4	Indicaciones relativas a la seguridad	62	10.2	Sacar el acumulador	76
4.1	Símbolos de advertencia	62	11	Conectar y desconectar el cortacésped	76
4.2	Uso de acuerdo a lo previsto	63	11.1	Conectar el cortacésped	76
4.3	Requerimientos al usuario	63	11.2	Desconectar el cortacésped	77
4.4	Ropa y equipamiento de trabajo	64	12	Comprobar el cortacésped y el acumulador	77
4.5	Sector de trabajo y entorno	64	12.1	Comprobar los mandos	77
4.6	Estado seguro	65	12.2	Comprobar la cuchilla	77
4.7	Trabajo	67	12.3	Comprobar el acumulador	78
4.8	Transporte	68	13	Trabajar con el cortacésped	78
4.9	Almacenamiento	69	13.1	Sujetar y conducir el cortacésped	78
4.10	Limpieza, mantenimiento y reparación	69	13.2	Ajustar la altura de corte	78
5	Preparar el cortacésped para el trabajo	70	13.3	Conectar el modo ECO	79
5.1	Preparar el cortacésped para el trabajo	70	13.4	Corte y mulching	79
6	Cargar el acumulador y LEDs	71	14	Después del trabajo	79
6.1	Cargar la batería	71	14.1	Después del trabajo	79
6.2	Indicar el estado de carga	71	15	Transporte	80
6.3	LEDs en el acumulador	71	15.1	Transportar el cortacésped	80
7	Ensamblar el cortacésped	71	15.2	Transportar la batería	80
7.1	Montar el manillar	71	16	Almacenamiento	80
7.2	Enganchar y desenganchar el colector de hierba	72	16.1	Guardar el cortacésped	80
7.3	Colocar y sacar el dispositivo de mulching	72	16.2	Guardar la batería	80
7.4	Enganchar y desenganchar la guía	72	17	Limpiar	81
7.5	Montar y desmontar la cuchilla	73	17.1	Poner el cortacésped en posición vertical	81
			17.2	Limpiar el cortacésped	81

Este manual de instrucciones está protegido por derechos de autor. Nos reservamos todos los derechos, especialmente el derecho a la reproducción, traducción y elaboración con sistemas electrónicos.

17.3 Limpiar el acumulador	81
18 Mantenimiento	81
18.1 Afilar y equilibrar la cuchilla	81
19 Reparación	82
19.1 Reparar el cortacésped y el acumulador	82
20 Subsanan las perturbaciones	83
20.1 Subsanan las anomalías del cortacésped o de la batería	83
21 Datos técnicos	85
21.1 Cortacésped STIHL RMA 460	85
21.2 Cuchillas	85
21.3 Akku STIHL AK	85
21.4 Límites de temperatura	85
21.5 Rangos de temperatura recomendados	85
21.6 Indicaciones normativas	85
21.7 REACH	86
22 Piezas de repuesto y accesorios	86
22.1 Piezas de repuesto y accesorios	86
23 Gestión de residuos	86
23.1 Gestionar como residuo el cortacésped y el acumulador	86

1 Prólogo

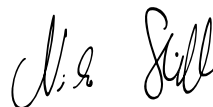
Distinguidos clientes,

Nos alegramos de que se hayan decidido por STIHL. Desarrollamos y confeccionamos nuestros productos en primera calidad y con arreglo a las necesidades de nuestros clientes. De esta manera conseguimos elaborar productos altamente fiables incluso en condiciones de esfuerzo extremas.

STIHL también presta un Servicio Postventa de primera calidad. Nuestros comercios especializados garantizan un asesoramiento e instrucciones competentes así como un amplio asesoramiento técnico.

STIHL se declara expresamente a favor de tratar la naturaleza de forma sostenible y responsable. Estas instrucciones de servicio pretenden asistirle para hacer un uso ecológico y seguro de su producto STIHL durante toda su vida útil.

Le agradecemos su confianza y le deseamos que disfrute de su producto STIHL.



Dr. Nikolas Stihl

IMPORTANTE: LEER ANTES DE USAR Y GUARDAR.

2 Informaciones relativas a estas instrucciones para la reparación

2.1 Documentación aplicable

Son aplicables las normas de seguridad locales.

- Además de este manual de instrucciones se deben leer, comprender y guardar los siguientes documentos:

- Indicaciones de seguridad para batería STIHL AK
- Manual de instrucciones de cargadores STIHL AL 101, 301, 500
- Información de seguridad para baterías STIHL y productos con baterías incorporadas:
www.stihl.com/safety-data-sheets

2.2 Marca de las indicaciones de advertencia en el texto

! PELIGRO

La indicación hace referencia a peligros que pueden provocar lesiones graves o la muerte.

- ▶ Con las medidas mencionadas se pueden evitar lesiones graves o mortales.

! ADVERTENCIA

La indicación hace referencia a peligros que pueden provocar lesiones graves o la muerte.

- ▶ Con las medidas mencionadas se pueden evitar lesiones graves o mortales.

INDICACIÓN

La indicación hace referencia a peligros que pueden provocar daños materiales.

- ▶ Con las medidas mencionadas se pueden evitar daños materiales.

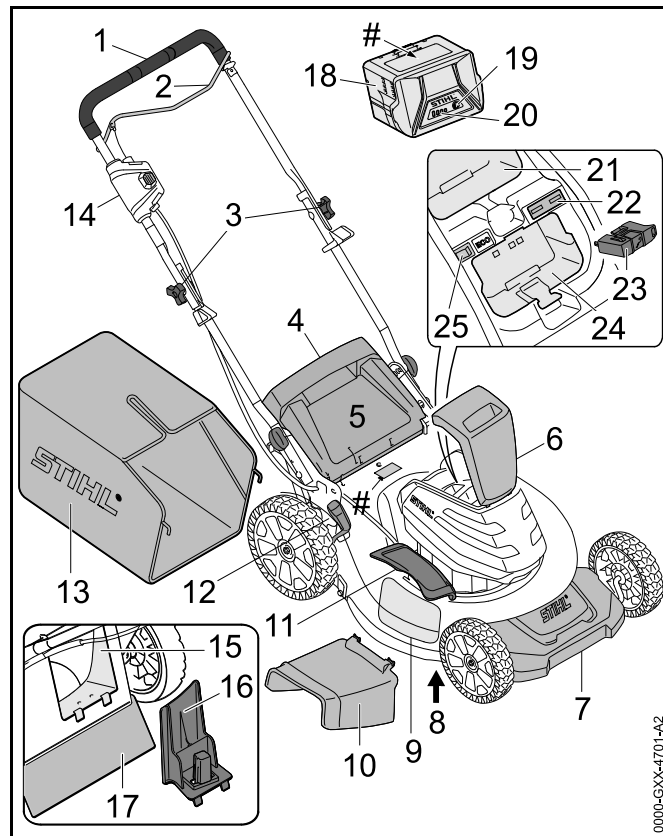
2.3 Símbolos en el texto



Este símbolo remite a un capítulo de este manual de instrucciones.

3 Sinopsis

3.1 Cortacésped y batería



1 Manillar

El manillar sirve para sujetar, conducir y transportar el cortacésped.

2 Estribo de mando

El estribo de mando conecta y desconecta el cortacésped junto con el botón de bloqueo.

3 Tuerca con mango de estrella

La tuerca con mango de estrella fija la parte superior del manillar firmemente a la parte inferior.

4 Deflector

El deflector cierra el canal de expulsión.

5 Palanca

La palanca bloquea el ajuste del manillar.

6 Tapa

La tapa cubre la batería, el conmutador ECO y la llave de seguridad, y protege contra suciedad.

7 Cubierta

La cubierta cubre y sirve para transportar el cortacésped.

8 Cuchilla

La cuchilla corta y realiza el mulching del césped.

9 Canal de expulsión lateral

El canal de expulsión lateral conduce la hierba cortada a un lado.

10 Guía

La guía conduce la hierba cortada al suelo.

11 Deflector lateral

El deflector lateral cierra el canal de expulsión lateral.

12 Palanca

La palanca sirve para ajustar la altura de corte.

13 Recogedor de hierba

El recogedor de hierba se encarga de recoger la hierba cortada.

14 Botón de bloqueo

El botón de bloqueo conecta y desconecta el cortacésped junto con el estribo de mando.

15 Canal de expulsión

El canal de expulsión conduce la hierba cortada al recogedor de hierba.

16 Accesorio de mulching

El accesorio de mulching cierra el canal de expulsión.

17 Protector

El protector protege al usuario de objetos lanzados al aire y del contacto con la cuchilla.

18 Batería

La batería suministra energía al cortacésped.

19 Botón

El botón activa los LED de la batería.

20 LED

Los LED indican el estado de carga de la batería y las anomalías.

21 Compartimento de la batería

El compartimento de la batería incorpora una batería de repuesto.

22 Adaptador para la llave

El adaptador para la llave incorpora la llave de seguridad.

23 Llave de seguridad

La llave de seguridad activa el cortacésped.

24 Compartimento de la batería

El compartimento de la batería incorpora la batería.

25 Conmutador ECO

El conmutador ECO conecta y desconecta el modo ECO.

Placa de características con número de serie**3.2 Símbolos**

Los símbolos pueden encontrarse en el cortacésped y en la batería, y significan lo siguiente:



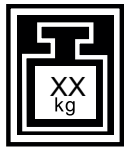
Este símbolo caracteriza la llave de seguridad.



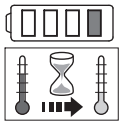
Este símbolo caracteriza el adaptador para la llave.



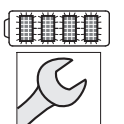
Este símbolo caracteriza el conmutador ECO.



Este símbolo indica el peso del cortacésped.



1 LED se enciende en rojo. La batería está demasiado caliente o demasiado fría.



4 LED parpadean en rojo. En la batería hay una anomalía.



El LED se enciende en verde y los LED de la batería se encienden o parpadean en verde. La batería se está cargando.



El LED parpadea en rojo. Entre la batería y el cargador no existe un contacto eléctrico o hay una anomalía en la batería o en el cargador.



LWA Potencia sonora garantizada según la directiva 2000/14/EC en dB(A) para permitir que las emisiones sonoras de los productos sean comparables.



La indicación al lado del símbolo apunta al contenido energético de la batería según la especificación del fabricante de elementos. El contenido energético disponible en la práctica es menor.



No desechar el producto con la basura normal.

4 Indicaciones relativas a la seguridad

4.1 Símbolos de advertencia

Los símbolos de advertencia en el cortacésped o en la batería significan lo siguiente:



Tener en cuenta las indicaciones de seguridad y las medidas que hay que tomar.



Leer, comprender y conservar el manual de instrucciones.



Utilizar gafas de protección.



Tener en cuenta las indicaciones de seguridad respecto a los objetos lanzados al aire y las medidas que hay que tomar.



No tocar una cuchilla en rotación.



Sacar la batería al interrumpir el trabajo, durante el transporte y almacenamiento, y al realizar trabajos de mantenimiento o reparación.



Retirar la llave de seguridad al interrumpir el trabajo, durante el transporte y almacenamiento, y al realizar trabajos de mantenimiento o reparación.



Mantener la distancia de seguridad.



Proteger la batería del calor y del fuego.



Proteger el cortacésped y la batería de la lluvia y la humedad; tampoco se deben sumergir en ningún líquido.

4.2 Uso de acuerdo a lo previsto

El cortacésped STIHL RMA 460 sirve para cortar y realizar el mulching de hierba seca.

El cortacésped no debe utilizarse cuando llueve.

Una batería STIHL AK suministra energía al cortacésped.

⚠ ADVERTENCIA

- Las baterías que no han sido autorizadas por STIHL para el cortacésped pueden provocar incendios y explosiones. Pueden producirse lesiones graves o mortales y también daños materiales.
 - ▶ Utilizar el cortacésped con una batería STIHL AK.
- Si el cortacésped o la batería no se utilizan de la forma prevista, puede haber personas que sean gravemente lesionadas o matadas, y se pueden producir daños materiales.
 - ▶ Utilizar el cortacésped y la batería de la manera descrita en este manual de instrucciones.

4.3 Requerimientos al usuario

⚠ ADVERTENCIA

- Los usuarios no instruidos no pueden identificar o calcular los peligros del cortacésped. El usuario u otras personas pueden sufrir lesiones graves o mortales.



- ▶ Leer este manual de instrucciones, entenderlo y guardarlo.

- ▶ En caso de prestar el cortacésped a otra persona: entregarle el manual de instrucciones.
- ▶ Asegurarse de que el usuario cumple con estos requisitos:
 - El usuario está descansado.
 - El usuario tiene capacidad física, sensorial y psíquica para manejar el cortacésped y el acumulador y trabajar con los mismos. En el caso de que el usuario presente limitaciones físicas, sensoriales o psíquicas, deberá trabajar solo bajo supervisión y siguiendo las instrucciones de una persona responsable.
 - El usuario puede identificar o calcular los peligros del cortacésped y el acumulador.
 - El usuario es mayor de edad o, según las correspondientes regulaciones nacionales, es instruido bajo supervisión en una profesión.
 - El usuario ha recibido instrucciones de un distribuidor especializado de STIHL o una una persona especializada antes de trabajar por primera vez con el cortacésped.
 - El usuario no está bajo los efectos del alcohol, medicamentos o drogas.
- ▶ En caso de dudas: acuda a un distribuidor especializado STIHL.

4.4 Ropa y equipamiento de trabajo

⚠ ADVERTENCIA

- Durante el trabajo pueden salir despedidos objetos a alta velocidad. El usuario puede resultar lesionado.
 - ▶ Llevar un pantalón largo de material resistente.
- Durante el trabajo puede levantarse polvo. El polvo aspirado puede perjudicar la salud y provocar reacciones alérgicas.
 - ▶ Si se levanta polvo: llevar una máscara antipolvo.
- La ropa inapropiada puede quedar atrapada en madera, matorrales y en el cortacésped. Los usuarios que no lleven ropa apropiada puede ser gravemente lesionados.
 - ▶ Llevar ropa ajustada al cuerpo.
 - ▶ Quitarse bufandas y joyas.
- Durante la limpieza, el mantenimiento o el transporte, el usuario puede entrar en contacto con la cuchilla. El usuario puede resultar lesionado.
 - ▶ Utilizar guantes de protección.
- El usuario que no lleva calzado apropiado puede resbalar. El usuario puede resultar lesionado.
 - ▶ Llevar calzado resistente y cerrado con suela antideslizante.
- Al afilar las cuchillas pueden salir despedidas partículas de material. El usuario puede resultar lesionado.
 - ▶ Llevar gafas de protección ajustadas a la cabeza. Las gafas de protección apropiadas se han comprobado según la norma EN 166 o según disposiciones nacionales, y están a la venta en los comercios con su correspondiente identificación.
 - ▶ Utilizar guantes de protección.

4.5 Sector de trabajo y entorno

4.5.1 Cortacésped

⚠ ADVERTENCIA

- Las personas ajenas al trabajo, al igual que niños y animales, no pueden reconocer ni evaluar los peligros relacionados con el cortacésped y los objetos lanzados al aire. Las personas ajenas al trabajo, niños y animales pueden sufrir lesiones graves, y se pueden producir daños materiales.



- ▶ Las personas ajenas al trabajo, los niños y los animales que se encuentren 15 m alrededor de la zona de trabajo deben mantenerse alejados de ella.

- ▶ Mantener una distancia de 15 m a los objetos.
- ▶ No dejar el cortacésped sin vigilancia.
- ▶ Asegurarse de que los niños no puedan jugar con el cortacésped.
- Si trabaja con lluvia, el usuario podría resbalar. El usuario podría sufrir lesiones graves o mortales.
 - ▶ Si llueve: no trabajar.
- El cortacésped no está protegido contra el agua. Si se trabaja con lluvia o en entornos húmedos, puede producirse una descarga eléctrica. El usuario puede lesionarse y el cortacésped puede ser dañado.
 - ▶ No trabajar bajo la lluvia ni en entornos húmedos.



- ▶ No cortar ni realizar el mulching estando la hierba mojada.

- Los componentes eléctricos del cortacésped pueden generar chispas. En entornos fácilmente inflamables o explosivos las chispas pueden provocar incendios y explosiones. Pueden producirse lesiones graves o mortales y también daños materiales.
 - ▶ No trabajar en un entorno fácilmente inflamable o explosivo.


4.5.2 Acumulador

ADVERTENCIA

- Las personas ajenas a la máquina, los niños y los animales no pueden identificar ni calcular los peligros del acumulador. Las personas ajenas, los niños y los animales pueden sufrir graves lesiones.
 - ▶ Mantener alejados a personas ajenas, a los niños y los animales.
 - ▶ No dejar el acumulador sin vigilancia.
 - ▶ Asegurarse de que los niños no puedan jugar con el acumulador.
- El acumulador no está protegido contra todas las influencias ambientales. Si el acumulador está expuesto a determinadas influencias ambientales, este puede prender fuego, explotar o dañarse de forma irreparable. Las personas pueden sufrir lesiones y se pueden producir daños materiales.



- ▶ Proteger el acumulador del calor y el fuego.
- ▶ No tirar los acumuladores al fuego.

- ▶ No cargar, utilizar ni guardar el acumulador fuera de los límites de temperatura indicados,  21.4.



- ▶ Proteger el acumulador de la lluvia y la humedad y no sumergirlo en líquidos.

- ▶ Mantener el acumulador apartado de pequeños objetos metálicos.
- ▶ No someter el acumulador a alta presión.

- ▶ No someter el acumulador a microondas.
- ▶ Proteger el acumulador contra productos químicos y sales.

4.6 Estado seguro

4.6.1 Cortacésped

El cortacésped se encuentra en un estado seguro cuando se cumplen las siguientes condiciones:

- El cortacésped no está dañado.
- El cortacésped está limpio y seco.
- Los mandos funcionan y no han sido modificados.
- Si se corta el césped y la hierba cortada ha de ser recogida en el recogedor: debe haberse sacado el accesorio de mulching, desenganchado la guía y enganchado correctamente el recogedor de hierba.
- Si se desea cortar el césped y la hierba cortada ha de ser expulsada lateralmente: debe haberse desenganchado el recogedor de hierba, colocado correctamente el accesorio de mulching y enganchado correctamente la guía.
- Si se desea realizar el mulching: debe haberse desenganchado la guía y el recogedor de hierba y colocado correctamente el accesorio de mulching.
- La cuchilla está montada correctamente.
- El protector está montado correctamente.
- En este cortacésped se han montado accesorios originales STIHL.
- Los accesorios están montados correctamente.



⚠ ADVERTENCIA

- En un estado que no sea seguro, es posible que ciertos componentes ya no funcionen correctamente y se desactiven dispositivos de seguridad. Pueden producirse lesiones graves o mortales.
 - ▶ Trabajar con un cortacésped que no presente daños.
 - ▶ Si el cortacésped está sucio o mojado: limpiarlo y dejar que se seque.
 - ▶ No modificar el cortacésped.
 - ▶ Si los mandos no funcionan: no trabajar con el cortacésped.
 - ▶ Si se corta el césped y la hierba cortada ha de ser recogida en el recogedor: sacar el accesorio de mulching, desenganchar la guía y enganchar el recogedor de hierba como se describe en este manual de instrucciones.
 - ▶ Si se desea cortar el césped y la hierba cortada ha de ser expulsada lateralmente: desenganchar el recogedor de hierba, colocar el accesorio de mulching y enganchar la guía como se describe en este manual de instrucciones.
 - ▶ Si se desea realizar el mulching: desenganchar la guía y el recogedor de hierba y colocar el accesorio de mulching como se describe en este manual de instrucciones.
 - ▶ Montar accesorios originales STIHL para este cortacésped.
 - ▶ Montar la cuchilla de la manera descrita en este manual de instrucciones.
 - ▶ Montar los accesorios de la manera descrita en este manual de instrucciones o en el manual de instrucciones del accesorio correspondiente.
 - ▶ No meter ningún objeto en las aberturas del cortacésped.
 - ▶ Los contactos del adaptador para la llave no deben unirse con objetos metálicos ni tampoco deben cortocircuitarse.
 - ▶ Sustituir los rótulos desgastados o dañados.

- ▶ En caso de dudas: consultar a un distribuidor especializado STIHL.

4.6.2 Cuchilla

La cuchilla se encuentra en un estado seguro cuando se cumplen las siguientes condiciones:

- La cuchilla y las piezas de montaje no presentan daños.
- La cuchilla no está deformada.
- La cuchilla está montada correctamente.
- La cuchilla está afilada correctamente.
- La cuchilla no tiene rebabas.
- La cuchilla está bien equilibrada.
- El grosor y el ancho de la cuchilla no son inferiores al mínimo;  21.2.
- Se ha respetado el ángulo de afilado;  21.2.

⚠ ADVERTENCIA

- Si la cuchilla no se encuentra en un estado seguro, es posible que partes de ella se suelten y salgan despedidas. Pueden producirse lesiones graves.
 - ▶ Trabajar solo con una cuchilla en buen estado y piezas de montaje que no estén dañadas.
 - ▶ Montar las cuchillas correctamente.
 - ▶ Afilar las cuchillas correctamente.
 - ▶ Si el grosor o el ancho de las cuchillas es inferior al mínimo: sustituir las cuchillas.
 - ▶ Encargar a un distribuidor especializado STIHL que equilibre las cuchillas.
 - ▶ En caso de dudas: consultar a un distribuidor especializado STIHL.


4.6.3 Acumulador

El acumulador se encuentra en un estado seguro, cuando se cumplen las siguientes condiciones:

- El acumulador está intacto.

- El acumulador está limpio y seco.
- El acumulador funciona y no se ha modificado.

⚠ ADVERTENCIA

- En un estado inseguro, el acumulador ya no puede funcionar de forma segura. Las personas pueden sufrir lesiones graves.
 - ▶ Trabajar con un acumulador que no esté defectuoso y que funcione bien.
 - ▶ No cargar un acumulador dañado o defectuoso.
 - ▶ Si el acumulador está sucio: limpiarlo.
 - ▶ Si el acumulador está mojado o húmedo: dejarlo secar,  21.5.
 - ▶ No modificar el acumulador.
 - ▶ No introducir objetos en las aberturas del acumulador.
 - ▶ No unir nunca los contactos eléctricos del acumulador con objetos de metal ni cortocircuitarlos.
 - ▶ No abrir el acumulador.
 - ▶ Sustituir los rótulos de indicación que estén desgastados o dañados.
- De un acumulador dañado puede salir líquido. En caso de que el líquido entre en contacto con la piel o los ojos, se pueden irritar.
 - ▶ Evitar el contacto con el líquido.
 - ▶ Si se ha producido contacto con la piel, lavarse las zonas de la piel afectadas con agua abundante y jabón.
 - ▶ Si se ha producido contacto con los ojos, enjuagarlos durante, al menos, 15 minutos con agua abundante y acudir al médico.

- Un acumulador dañado o defectuoso puede oler, echar humo o arder de forma poco corriente. Las personas pueden sufrir lesiones graves o mortales y se pueden producir daños materiales.
 - ▶ Si el acumulador huele o echa humo de forma poco corriente: no utilizar el acumulador y mantenerlo alejado de materiales inflamables.
 - ▶ Si el acumulador se está quemando: intentar apagarlo con un extintor o agua.

4.7 Trabajo

⚠ ADVERTENCIA

- En determinadas situaciones el usuario ya no puede trabajar de forma concentrada. El usuario puede tropezar, caer y resultar gravemente lesionado.
 - ▶ Trabajar de forma tranquila y reflexiva.
 - ▶ Si las condiciones lumínicas y de visibilidad son malas: no trabajar con el cortacésped.
 - ▶ Manejar el cortacésped a solas.
 - ▶ Prestar atención a los obstáculos.
 - ▶ Trabajar de pie sobre el suelo y mantener el equilibrio.
 - ▶ Si aparecen signos de cansancio: hacer una pausa.
 - ▶ Si se corta el césped en una pendiente: hacerlo en sentido perpendicular a la pendiente.
 - ▶ No trabajar en pendientes que superen una inclinación de 25° (46,6 %).
- La cuchilla que gira puede cortar al usuario. El usuario puede resultar gravemente lesionado.



- ▶ No tocar una cuchilla en rotación.
- ▶ Si la cuchilla está bloqueada por un objeto: apagar el cortacésped, retirar la llave de seguridad y sacar la batería. Solo después se debe retirar el objeto.

- Si el cortacésped cambia durante el trabajo o se comporta de una forma poco habitual, es posible que no se encuentre en un estado seguro. Pueden producirse lesiones graves y daños materiales.
 - ▶ Finalizar el trabajo, retirar la llave de seguridad, sacar la batería y consultar a un distribuidor especializado STIHL.
- Durante el trabajo pueden producirse vibraciones ocasionadas por el cortacésped.
 - ▶ Utilizar guantes de protección.
 - ▶ Hacer pausas para descansar del trabajo.
 - ▶ Si se presentan señales de un trastorno circulatorio: acudir a un médico.
- Si se suelta el estribo de mando, la cuchilla seguirá girando brevemente. Pueden producirse lesiones graves.
 - ▶ Esperar hasta que la cuchilla deje de girar.
- Si la cuchilla en rotación choca contra un objeto duro, pueden producirse chispas. En entornos fácilmente inflamables las chispas pueden provocar incendios. Pueden producirse lesiones graves o mortales y también daños materiales.
 - ▶ No trabajar en un entorno fácilmente inflamable.
- Si el cortacésped se estaciona en superficies escarpadas, podría salir rodando involuntariamente. Pueden producirse lesiones y daños materiales.
 - ▶ El cortacésped solo se debe soltar cuando se encuentra en una superficie plana, para que no pueda salir rodando.
- Si se fijan objetos al manillar, el cortacésped podría volcar debido al peso adicional de dichos objetos. Pueden producirse lesiones y daños materiales.
 - ▶ No fijar ningún objeto al manillar.

⚠ PELIGRO

- Si se trabaja en las cercanías de cables bajo tensión, la cuchilla podría entrar en contacto con estos y dañarlos. El usuario podría sufrir lesiones graves o mortales.
 - ▶ No trabajar en las cercanías de cables eléctricos.
- Si se trabaja durante una tormenta, el usuario puede recibir el impacto de un rayo. El usuario podría sufrir lesiones graves o mortales.
 - ▶ Si hay tormenta: no trabajar.

4.8 Transporte

4.8.1 Cortacésped

⚠ ADVERTENCIA

- Durante el transporte el cortacésped puede caerse o moverse. Pueden producirse lesiones y daños materiales.



- ▶ Extraer la llave de seguridad.



- ▶ Sacar la batería.

- ▶ Asegurar el cortacésped con cinchas tensoras, correas, o con una red, de tal manera que no pueda caerse ni moverse.
- El cortacésped es pesado. El usuario podría lesionarse si transporta el cortacésped a solas.
 - ▶ Transportar el cortacésped entre dos personas.

4.8.2 Acumulador

⚠ ADVERTENCIA

- El acumulador no está protegido contra todas las influencias ambientales. Si el acumulador está expuesto a determinadas influencias ambientales, puede dañarse y se pueden producir daños materiales.
 - ▶ No transportar un acumulador dañado.
- Durante el transporte, el acumulador puede volcarse o moverse. Las personas pueden sufrir lesiones y se pueden producir daños materiales.
 - ▶ Empaquetar el acumulador en el embalaje, de manera que no pueda moverse.
 - ▶ Asegurar el embalaje, de manera que no pueda moverse.

4.9 Almacenamiento

4.9.1 Cortacésped

⚠ ADVERTENCIA

- Los niños no pueden reconocer ni estimar los peligros del cortacésped. Los niños pueden sufrir graves lesiones.



- ▶ Extraer la llave de seguridad.



- ▶ Sacar la batería.

- ▶ Guardar el cortacésped fuera del alcance de los niños.

- Los contactos eléctricos del cortacésped y los componentes metálicos pueden sufrir corrosión debido a la humedad. El cortacésped puede ser dañado.



- ▶ Extraer la llave de seguridad.



- ▶ Sacar la batería.

- ▶ Guardar el cortacésped en un lugar limpio y seco.

4.9.2 Batería

⚠ ADVERTENCIA

- Los niños no pueden reconocer ni estimar los peligros relacionados con la batería. Los niños pueden sufrir lesiones graves.
 - ▶ Guardar la batería fuera del alcance de los niños.
- La batería no está protegida de todas las influencias ambientales. Si la batería está sometida a ciertas influencias ambientales, es posible que se dañe irremediablemente.
 - ▶ Guardar la batería en un lugar limpio y seco.
 - ▶ Guardar la batería en un lugar cerrado.
 - ▶ Guardar la batería separada del cortacésped.
 - ▶ Si la batería se guarda en el cargador: desconectar el enchufe de red y guardar la batería con un estado de carga que oscile entre un 40 y un 60 % (2 LED encendidos en verde).
 - ▶ No guardar la batería fuera de los límites de temperatura especificados; 21.4.

4.10 Limpieza, mantenimiento y reparación

⚠ ADVERTENCIA

- Si durante la limpieza, el mantenimiento o la reparación estuviera colocada la llave de seguridad y la batería, el cortacésped se podría conectar involuntariamente. Pueden producirse lesiones graves y daños materiales.



- ▶ Retirar la llave de seguridad.



► Sacar la batería.

- Los limpiadores corrosivos y la limpieza con chorro de agua u objetos puntiagudos podrían dañar el cortacésped, la cuchilla y la batería. Si el cortacésped, la cuchilla y la batería no se limpian bien, es posible que ciertos componentes ya no funcionen correctamente y se desactiven dispositivos de seguridad. Pueden producirse lesiones graves.
 - Limpiar el cortacésped, la cuchilla y la batería de la manera descrita en este manual de instrucciones.
- Si el cortacésped, la cuchilla o la batería no reciben un buen mantenimiento o reparación, es posible que ciertos componentes ya no funcionen correctamente y se desactiven dispositivos de seguridad. Pueden producirse lesiones graves o mortales.
 - Uno mismo no debería revisar o reparar el cortacésped ni la batería.
 - Si el cortacésped o la batería tienen que someterse a un mantenimiento o reparación: consultar a un distribuidor especializado STIHL.
 - Revisar la cuchilla de la manera descrita en este manual de instrucciones.
- Durante la limpieza, el mantenimiento o la reparación de la cuchilla, el usuario podría cortarse con los filos. El usuario puede resultar lesionado.
 - Llevar guantes de trabajo de material resistente.
- La cuchilla puede calentarse mucho cuando se afila. El usuario podría quemarse.
 - Esperar hasta que la cuchilla se haya enfriado.
 - Llevar guantes de trabajo de material resistente.

5 Preparar el cortacésped para el trabajo

5.1 Preparar el cortacésped para el trabajo

Antes de comenzar cualquier trabajo deben realizarse los siguientes pasos:

- Retirar el material de embalaje y los seguros de transporte.
- Asegurarse de que los siguientes componentes se encuentren en un estado seguro:
 - Cortacésped; 4.6.1.
 - Cuchilla; 4.6.2.
 - Batería; 4.6.3.
- Comprobar la batería; 12.3.
- Cargar la batería completamente; 6.1.
- Limpiar el cortacésped; 17.2.
- Comprobar la cuchilla; 12.2.
- Montar el manillar; 7.1.
- Desplegar y ajustar el manillar; 8.1.
- Si se corta el césped y la hierba ha de ser recogida en el recogedor:
 - Desenganchar la guía; 7.3.2.
 - Sacar el accesorio de mulching; 7.3.2.
 - Enganchar el recogedor de hierba; 7.2.1.
- Si se desea cortar el césped y la hierba ha de ser guiada lateralmente al suelo:
 - Sacar el accesorio de mulching; 7.3.2.
 - Desenganchar el recogedor de hierba; 7.2.2.
 - Enganchar la guía; 7.4.1.
- Si se desea realizar el mulching:
 - Desenganchar la guía; 7.4.2.
 - Desenganchar el recogedor de hierba; 7.2.2.
 - Enganchar el accesorio de mulching; 7.3.1.
- Ajustar la altura de corte; 13.2.
- Comprobar los mandos; 12.1.

- ▶ Si fuera imposible realizar los pasos: no utilizar el cortacésped y consultar a un distribuidor especializado STIHL.

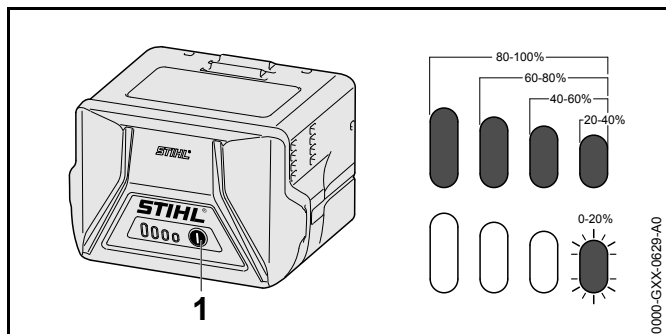
6 Cargar el acumulador y LEDs

6.1 Cargar la batería

El tiempo de carga depende de diversos factores que ejercen su influencia, como p. ej., la temperatura de la batería o la temperatura ambiente. Respetar los rangos de temperatura recomendados para garantizar un rendimiento óptimo; 21.5. El tiempo de carga real puede diferir del tiempo de carga indicado. El tiempo de carga se indica en www.stihl.com/charging-times.

- ▶ Cargar la batería como se describe en el manual de instrucciones para el cargador STIHL AL 101, 301, 500.

6.2 Indicar el estado de carga



- ▶ Pulsar la tecla (1). Los LEDs lucen en verde durante unos 5 segundos e indican el estado de carga.
- ▶ Si el LED derecho parpadea en verde: cargar el acumulador.

6.3 LEDs en el acumulador

Los LEDs pueden indicar el estado de carga del acumulador o averías. Los LEDs pueden lucir permanentemente o bien parpadear en verde o en rojo.

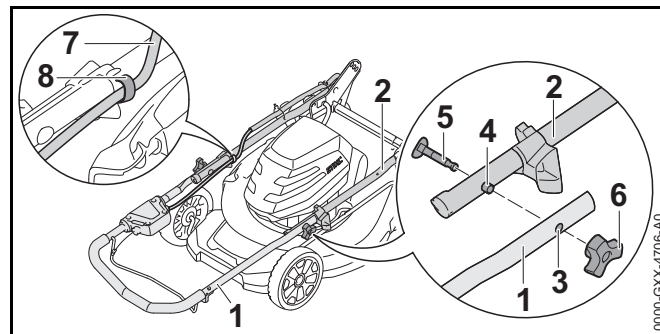
Si los LEDs lucen permanentemente o parpadean en verde, se indica el estado de carga.

- ▶ Si los LEDs lucen o parpadean en rojo: subsanar las perturbaciones, 20.1. En el cortacésped o en el acumulador existe una perturbación.

7 Ensamblar el cortacésped

7.1 Montar el manillar

- ▶ Apagar el cortacésped, retirar la llave de seguridad y sacar la batería.
- ▶ Colocar el cortacésped sobre una superficie llana.

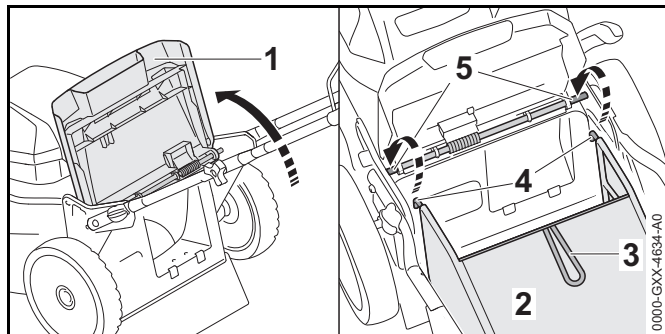


- ▶ Alinear la parte superior (1) e inferior (2) del manillar de tal manera que el pivote (4) engrane en el orificio (3) en ambos lados.
- ▶ Colocar el tornillo (5) y alinearlos de tal manera que en ambos lados la cabeza del tornillo esté apoyada al ras contra la parte inferior del manillar (2).
- ▶ Enroscar la tuerca con mango de estrella (6).
- ▶ Meter el cable (7) en el soporte (8) aplicando presión. El manillar no se tiene que desmontar otra vez.

7.2 Enganchar y desenganchar el colector de hierba

7.2.1 Enganchar el colector de hierba

- ▶ Desconectar el cortacésped, retirar la llave de seguridad y sacar el acumulador.
- ▶ Depositar el cortacésped sobre una superficie plana.
- ▶ Si está engancheda la guía: desengancharla.
- ▶ Si está colocado el dispositivo de mulching: sacar dicho dispositivo.



- ▶ Abrir la compuerta de expulsión (1) y sujetarla.
- ▶ Sujetar el colector de hierba (2) por el asidero (3) y enganchar los ganchos (4) en el eje (5).
- ▶ Colocar la compuerta de expulsión (1) sobre el colector de hierba (2).

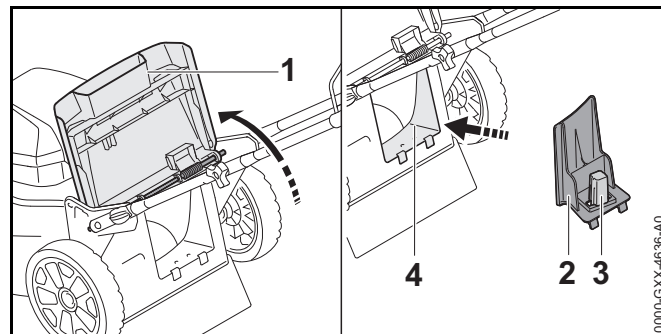
7.2.2 Desenganchar el recogedor de hierba

- ▶ Desconectar el cortacésped.
- ▶ Colocar el cortacésped sobre una superficie llana.
- ▶ Abrir el deflector y mantenerlo en esta posición.
- ▶ Retirar el recogedor de hierba hacia arriba agarrándolo por la empuñadura.
- ▶ Cerrar el deflector.

7.3 Colocar y sacar el dispositivo de mulching

7.3.1 Colocar el dispositivo de mulching

- ▶ Desconectar el cortacésped, retirar la llave de seguridad y sacar el acumulador.
- ▶ Depositar el cortacésped sobre una superficie plana.



- ▶ Abrir la compuerta de expulsión (1) y sujetarla.
- ▶ Sujetar el dispositivo de mulching (2) por el asidero (3) y colocarlo en el canal de expulsión (4).
- ▶ Cerrar la compuerta de expulsión (1).

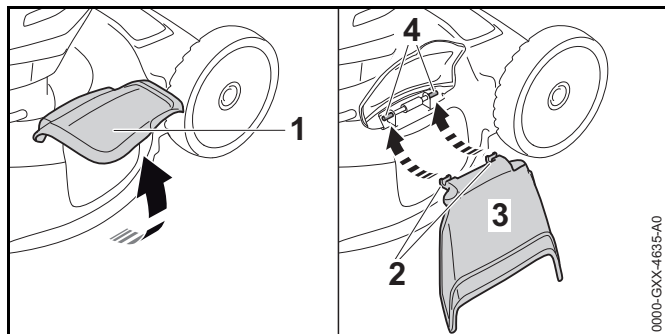
7.3.2 Sacar el dispositivo de mulching

- ▶ Desconectar el cortacésped, retirar la llave de seguridad y sacar el acumulador.
- ▶ Depositar el cortacésped sobre una superficie plana.
- ▶ Abrir la compuerta de expulsión y sujetarla.
- ▶ Sacar el dispositivo de mulching.
- ▶ Cerrar la compuerta de expulsión.

7.4 Enganchar y desenganchar la guía

7.4.1 Enganchar la guía

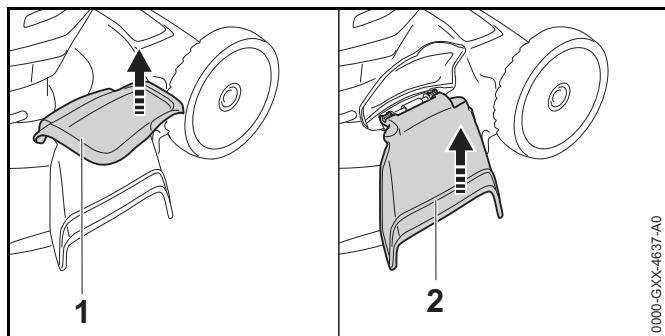
- ▶ Desconectar el cortacésped, retirar la llave de seguridad y sacar el acumulador.
- ▶ Depositar el cortacésped sobre una superficie plana.



- ▶ Abrir la compuerta lateral de expulsión (1) y sujetarla.
- ▶ Enganchar los ganchos (2) por abajo en el eje (4).
- ▶ Colocar la compuerta lateral de expulsión (1) en la guía (3).

7.4.2 Enganchar la guía

- ▶ Desconectar el cortacésped, retirar la llave de seguridad y sacar el acumulador.
- ▶ Depositar el cortacésped sobre una superficie plana.

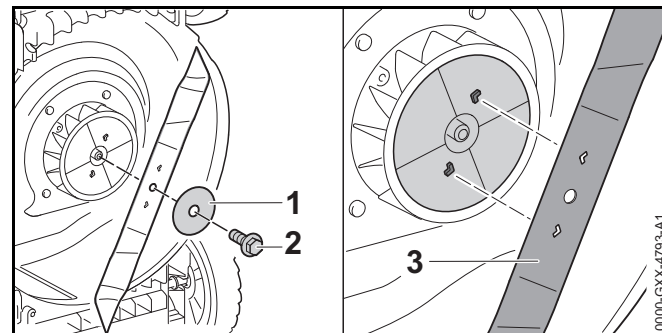


- ▶ Abrir la compuerta lateral de expulsión (1) y sujetarla.
- ▶ Abatir la guía (2) hacia arriba y quitarla.
- ▶ Cerrar la compuerta lateral de expulsión (1).

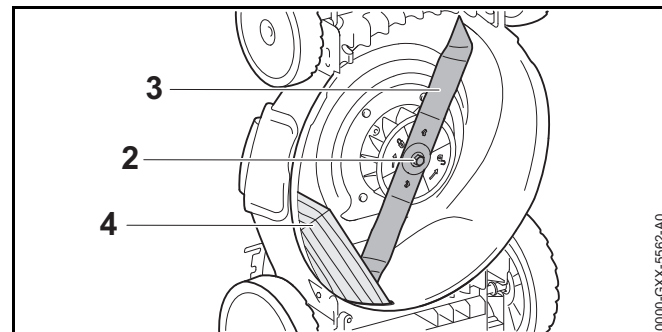
7.5 Montar y desmontar la cuchilla

7.5.1 Montar la cuchilla

- ▶ Apagar el cortacésped, retirar la llave de seguridad y sacar la batería.
- ▶ Volcar el cortacésped hacia atrás.



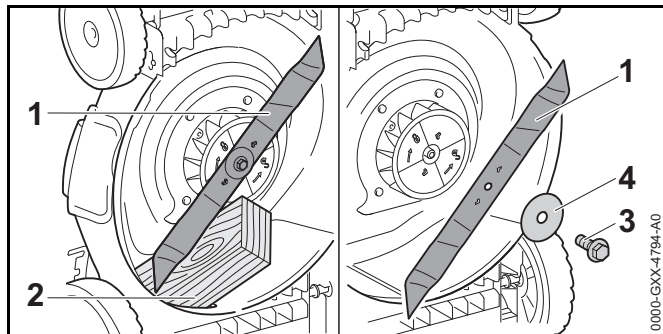
- ▶ Colocar la arandela nueva (1) sobre el tornillo nuevo (2).
- ▶ Aplicar el freno para tornillos Loctite 243 o Loctite 242 a la rosca del tornillo (2).
- ▶ Colocar la cuchilla (3) de tal manera que las protuberancias de la superficie de contacto encajen en las entalladuras de la cuchilla (3).



- ▶ Enroscar el tornillo (2) junto con la arandela (1).
- ▶ Bloquear la cuchilla (3) con un taco de madera (4).
- ▶ Apretar el tornillo (2) a un par de 35 Nm.

7.5.2 Desmontar la cuchilla

- ▶ Apagar el cortacésped, retirar la llave de seguridad y sacar la batería.
- ▶ Volcar el cortacésped hacia atrás.

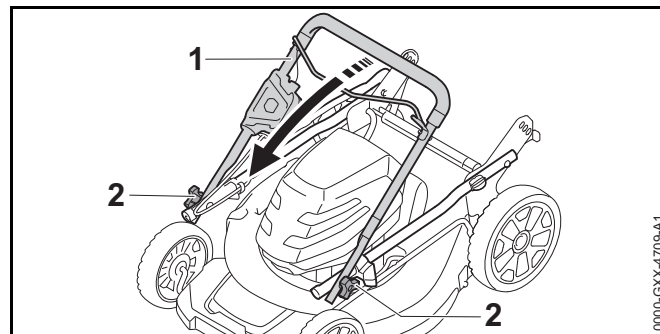


- ▶ Bloquear la cuchilla (1) con un taco de madera (2).
- ▶ Desenroscar el tornillo (3) y retirarlo con la arandela (4).
- ▶ Retirar la cuchilla (1).
- ▶ Desechar el tornillo (3) y la arandela (4). Utilizar un tornillo nuevo y una arandela nueva para montar la cuchilla (1).

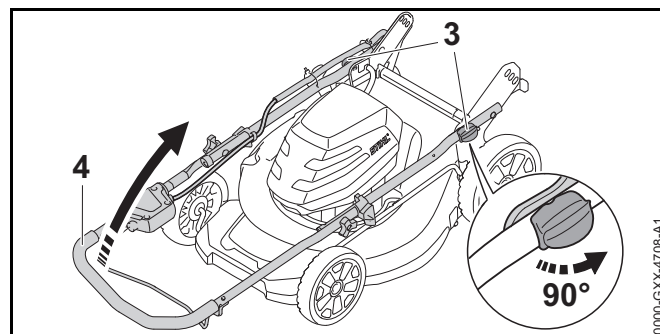
8 Ajustar el cortacésped para el usuario

8.1 Desplegar y ajustar el manillar

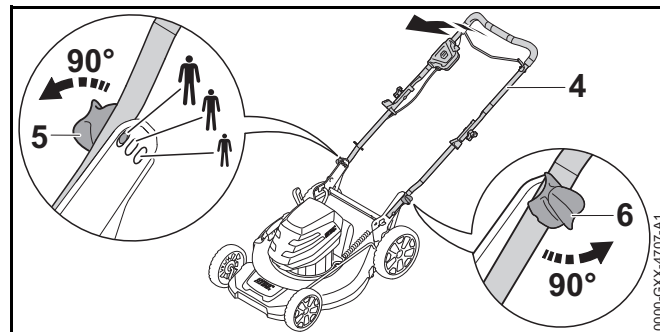
- ▶ Apagar el cortacésped, retirar la llave de seguridad y sacar la batería.
- ▶ Colocar el cortacésped sobre una superficie llana.



- ▶ Desplegar la parte superior del manillar (1).
- ▶ Apretar las tuercas con mango de estrella (2).



- ▶ Girar la palanca (3) 90°.
- ▶ Desplegar el manillar (4) por completo.



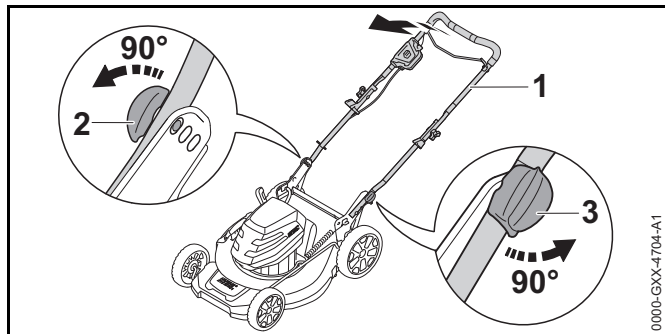
- ▶ Alinear el manillar (4) de tal manera que los pernos de las palancas (5 y 6) coincidan con la posición deseada.

- ▶ Girar las palancas (5 y 6) 90°. Los pernos de las palancas (5 y 6) encajan en los orificios a la misma altura.

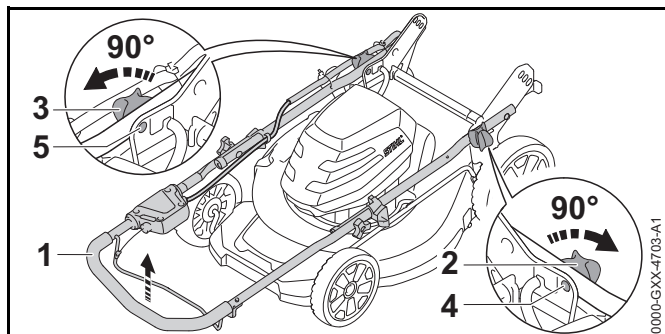
8.2 Plegar el manillar

El manillar puede plegarse para ahorrar espacio a la hora de transportarlo o guardarlo.

- ▶ Apagar el cortacésped, retirar la llave de seguridad y sacar la batería.
- ▶ Colocar el cortacésped sobre una superficie llana.

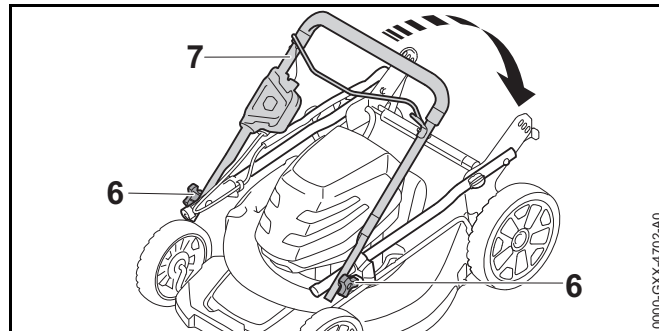


- ▶ Sujetar el manillar (1) y girar la palanca (2) 90°.
- ▶ Girar la palanca (3) 90°.
- ▶ Plegar el manillar (1).



- ▶ Girar ambas palancas (2 y 3) 90°.

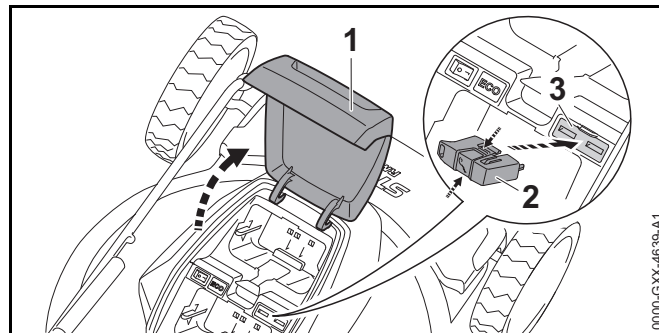
- ▶ Presionar el manillar (1) hacia arriba hasta que los pernos (4 y 5) de las palancas (2 y 3) encajen. El manillar (1) está fijado.



- ▶ Soltar las tuercas con mango de estrella (6).
- ▶ Plegar la parte superior del manillar (7).

9 Insertar la llave de seguridad y retirarla

9.1 Insertar la llave de seguridad



- ▶ Abrir la tapa (1) hasta el tope y mantenerla abierta.
- ▶ Presionar la llave de seguridad (2) y mantenerla presionada.
- ▶ Insertar la llave de seguridad (2) en el adaptador (3). La llave de seguridad (2) encajará haciendo clic.
- ▶ Cerrar la tapa (1).

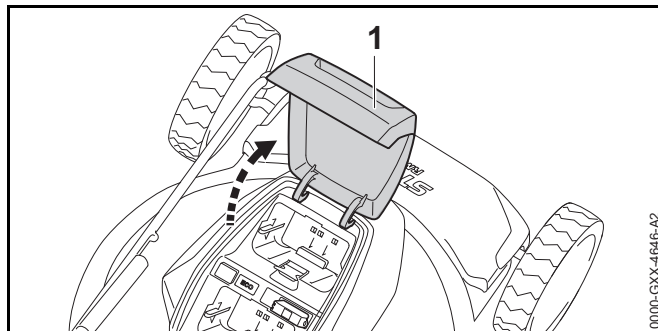
9.2 Retirar la llave de seguridad

- ▶ Abrir la tapa hasta el tope y sujetarla.
- ▶ Oprimir la llave de seguridad y mantenerla oprimida.
- ▶ Retirar la llave de seguridad.
- ▶ Cerrar la tapa.
- ▶ Guardar la llave de seguridad fuera del alcance de los niños.

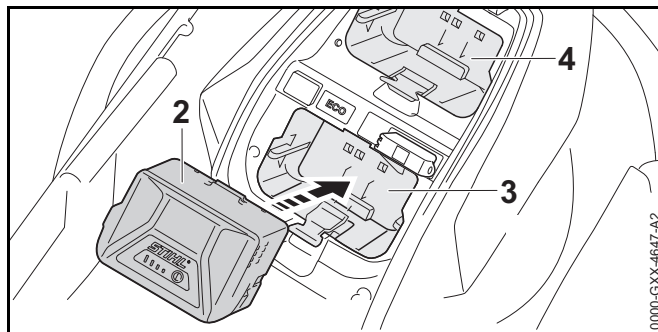
10 Colocar y sacar el acumulador

10.1 Colocar la batería

El cortacésped está equipado con dos compartimentos para baterías. Se puede llevar una batería de repuesto.



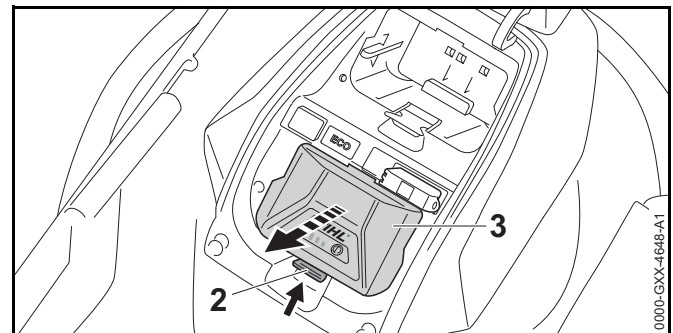
- ▶ Abrir la tapa (1) hasta el tope y mantenerla abierta.



- ▶ Introducir la batería (2) hasta el tope en el compartimento (3) aplicando presión. La batería (2) encaja haciendo clic y queda bloqueada.
- ▶ Si fuera necesario llevar una batería de repuesto: colocar la batería de repuesto en su compartimento (4). La batería encaja haciendo clic y queda bloqueada.
- ▶ Cerrar la tapa (1).

10.2 Sacar el acumulador

- ▶ Depositar el cortacésped sobre una superficie plana.
- ▶ Abrir la tapa (1) hasta el tope y sujetarla.

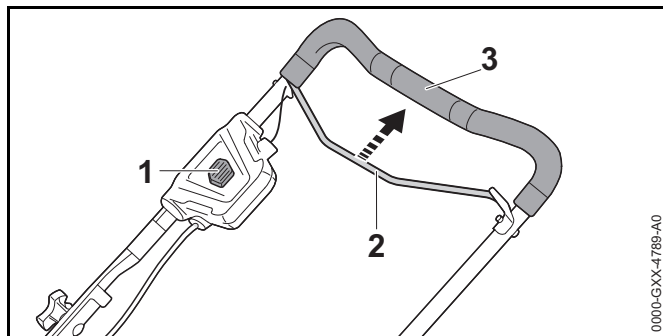


- ▶ Presionar la palanca de bloqueo (2). El acumulador (3) está desenclavado y se puede sacar.
- ▶ Cerrar la tapa (1).

11 Conectar y desconectar el cortacésped

11.1 Conectar el cortacésped

- ▶ Colocar el cortacésped sobre una superficie llana.



- ▶ Presionar el botón de bloqueo (1) con la mano derecha y mantenerlo presionado.
- ▶ Tirar del estribo de mando (2) con la mano izquierda completamente en dirección al manillar (3), y sujetarlo de tal manera que el pulgar rodee el manillar (3). La cuchilla gira.
- ▶ Soltar el botón de bloqueo (1).
- ▶ Sujetar el manillar (3) y el estribo de mando (2) con la mano derecha, de tal manera que el pulgar rodee el manillar (3).

11.2 Desconectar el cortacésped

- ▶ Soltar el estribo de mando.
- ▶ Esperar hasta que la cuchilla deje de girar.
- ▶ Si la cuchilla sigue girando: retirar la llave de seguridad, sacar la batería y consultar a un distribuidor especializado STIHL.
El cortacésped está defectuoso.

12 Comprobar el cortacésped y el acumulador

12.1 Comprobar los mandos

Botón de bloqueo y estribo de mando

- ▶ Extraer la llave de seguridad.
- ▶ Sacar la batería.

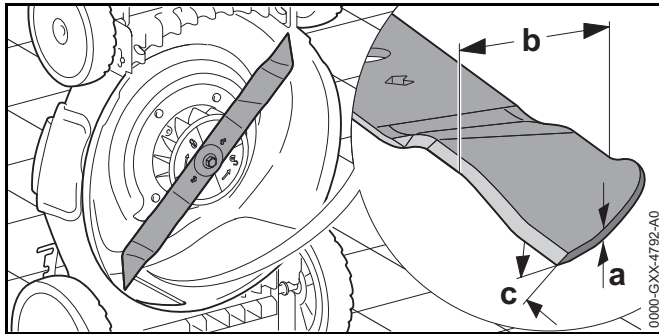
- ▶ Apretar el botón de bloqueo y soltarlo nuevamente.
- ▶ Tirar del estribo de mando completamente en dirección al manillar y soltarlo de nuevo.
- ▶ Si el botón de bloqueo o el estribo de mando se mueve con dificultad o no regresa a su posición inicial: no utilizar el cortacésped y consultar a un distribuidor especializado STIHL.
El botón de bloqueo o el estribo de mando está defectuoso.

Conectar la cuchilla

- ▶ Insertar la llave de seguridad.
- ▶ Colocar la batería.
- ▶ Presionar el botón de bloqueo con la mano derecha y mantenerlo presionado.
- ▶ Tirar del estribo de mando con la mano izquierda completamente en dirección al manillar, y sujetarlo de tal manera que el pulgar rodee el manillar.
La cuchilla gira.
- ▶ Si 3 LED parpadean en rojo: retirar la llave de seguridad, sacar la batería y consultar a un distribuidor especializado STIHL.
El cortacésped presenta una anomalía.
- ▶ Soltar el botón de bloqueo y el estribo de mando.
Después de un breve tiempo la cuchilla dejará de girar.
- ▶ Si la cuchilla sigue girando: retirar la llave de seguridad, sacar la batería y consultar a un distribuidor especializado STIHL.
El cortacésped está defectuoso.

12.2 Comprobar la cuchilla

- ▶ Desconectar el cortacésped, retirar la llave de seguridad y sacar el acumulador.
- ▶ Poner el cortacésped en posición vertical.



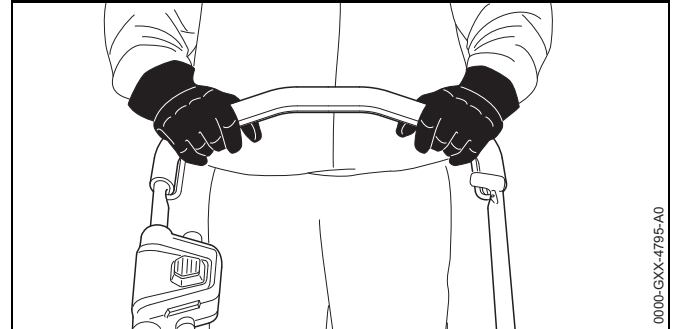
- ▶ Medir lo siguiente:
 - Grosor a
 - Ancho b
 - Ángulo de afilado c
- ▶ Si no se alcanza el grosor mínimo o el ancho mínimo: sustituir la cuchilla, 21.2.
- ▶ Si no se ha observado el ángulo de afilado: afilar la cuchilla, 21.2.
- ▶ En caso de dudas: acuda a un distribuidor especializado STIHL.

12.3 Comprobar el acumulador

- ▶ Pulsar la tecla en el acumulador
Los LEDs lucen o parpadean.
- ▶ Si los LEDs no lucen o parpadean: no utilizar el acumulador y acudir a un distribuidor especializado STIHL.
Hay una perturbación en el acumulador.

13 Trabajar con el cortacésped

13.1 Sujetar y conducir el cortacésped



- ▶ Sujetar el manillar con ambas manos de tal manera que los pulgares rodeen el manillar.

13.2 Ajustar la altura de corte

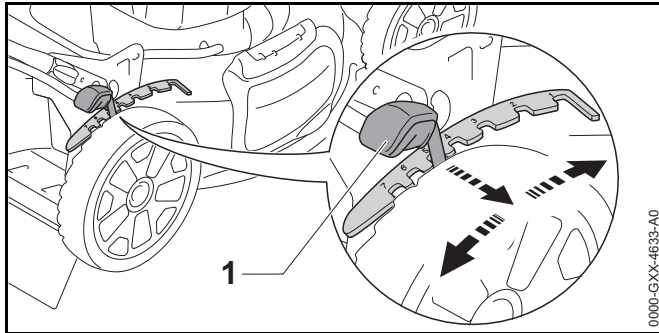
En función de la aplicación, pueden ajustarse 7 alturas de corte diferentes:

- 35 mm = Posición 1
- 50 mm = Posición 2
- 63 mm = Posición 3
- 74 mm = Posición 4
- 83 mm = Posición 5
- 90 mm = Posición 6
- 98 mm = Posición 7

Las posiciones se indican en el cortacésped.

Ajustar la altura de corte

- ▶ Apagar el cortacésped.
La cuchilla no debe girar.
- ▶ Colocar el cortacésped sobre una superficie llana.

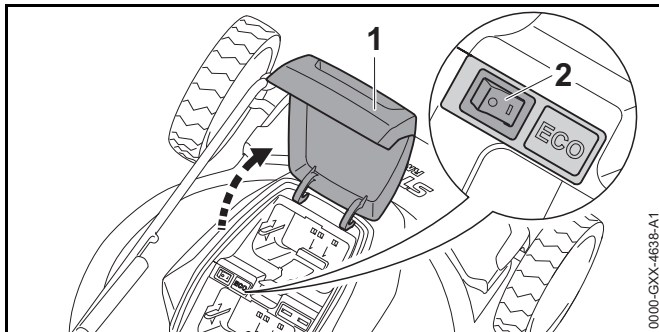


- ▶ Tirar de la palanca (1) para sacarla de la escotadura y colocarla en la posición deseada.

13.3 Conectar el modo ECO

Estando conectado el modo ECO, el cortacésped registra las condiciones de trabajo actuales y ajusta automáticamente el régimen apropiado de la cuchilla.

De esta manera se puede alargar el tiempo de funcionamiento del acumulador.



- ▶ Abrir la tapa (1) hasta el tope y sujetarla.
- ▶ Poner el interruptor ECO (2) en la posición I.
- ▶ Cerrar la tapa (1).

13.4 Corte y mulching



- ▶ Empujar el cortacésped hacia delante lentamente y de manera controlada.

Respetar los rangos de temperatura recomendados para garantizar un rendimiento óptimo; 21.5.

14 Después del trabajo

14.1 Después del trabajo

- ▶ Apagar el cortacésped, retirar la llave de seguridad y sacar la batería.
- ▶ Si el cortacésped está mojado: dejar que el cortacésped se seque.
- ▶ Si la batería está mojada o húmeda: dejar que la batería se seque; 21.5.
- ▶ Limpiar el cortacésped.

- ▶ Limpiar la batería.

15 Transporte

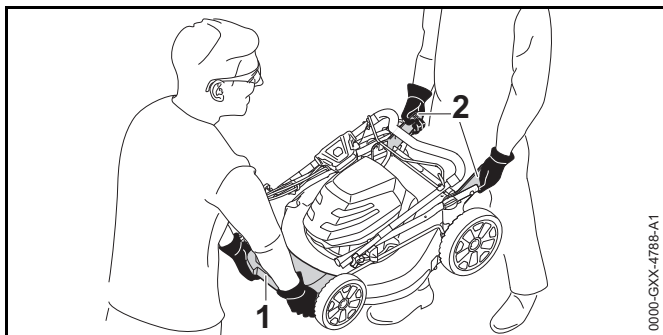
15.1 Transportar el cortacésped

- ▶ Desconectar el cortacésped.
La cuchilla no debe girar.
- ▶ Retirar la llave de seguridad y sacar la batería.

Empujar el cortacésped

- ▶ Empujar el cortacésped hacia delante lentamente y en forma controlada.

Transportar el cortacésped entre dos personas



- ▶ Plegar el manillar.
- ▶ Llevar guantes de trabajo de material resistente.
- ▶ Sujetar el cortacésped con ambas manos por la cubierta (1) y con ambas manos por las consolas (2), y transportarlo entre dos personas.

Transportar el cortacésped en un vehículo

- ▶ Asegurar el cortacésped de pie sobre sus cuatro ruedas de tal manera que no pueda volcar ni moverse.

15.2 Transportar la batería

- ▶ Apagar el cortacésped y sacar la batería.

- ▶ Asegurarse de que la batería se encuentre en un estado seguro.
- ▶ Embalar la batería de tal manera que no pueda moverse en su embalaje.
- ▶ Asegurar el embalaje de tal manera que no pueda moverse.

La batería está sometida a los requisitos para el transporte de mercancías peligrosas. La batería está clasificada como UN 3480 (baterías de litio-ión) y ha sido comprobada según el Manual de Pruebas y Criterios de las Naciones Unidas, Parte III, subsección 38.3.

Las normas de transporte se indican en www.stihl.com/safety-data-sheets.

16 Almacenamiento


16.1 Guardar el cortacésped

- ▶ Apagar el cortacésped, retirar la llave de seguridad y sacar la batería.
- ▶ Guardar el cortacésped de tal manera que se cumplan las siguientes condiciones:
 - El cortacésped se encuentra fuera del alcance de los niños.
 - El cortacésped está limpio y seco.
 - El cortacésped no puede volcar.
 - El cortacésped no puede salir rodando.

16.2 Guardar la batería

STIHL recomienda guardar la batería con un estado de carga que oscile entre un 40 y un 60 % (2 LED encendidos en verde).

- ▶ Guardar la batería de tal manera que se cumplan las siguientes condiciones:
 - La batería se encuentra fuera del alcance de los niños.
 - La batería está limpia y seca.
 - La batería se encuentra en un lugar cerrado.
 - La batería está separada del cortacésped.

- Si la batería se guarda en el cargador: desconectar el enchufe de red y guardar la batería con un estado de carga que oscile entre un 40 y un 60 % (2 LED encendidos en verde).
- La batería no se ha guardado fuera de los límites de temperatura especificados;  21.4.

INDICACIÓN

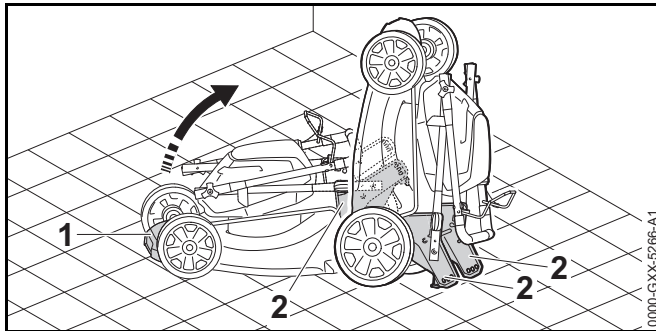
Si no se guarda como se describe en este manual de instrucciones, la batería puede descargarse profundamente y sufrir daños irreparables.

- ▶ Cargar una batería descargada antes de guardarla. STIHL recomienda guardar la batería con un estado de carga que oscile entre un 40 y un 60 % (2 LED encendidos en verde).
- ▶ Guardar la batería separada del cortacésped.

17 Limpiar

17.1 Poner el cortacésped en posición vertical

- ▶ Desconectar el cortacésped, retirar la llave de seguridad y sacar el acumulador.
- ▶ Depositar el cortacésped sobre una superficie plana.
- ▶ Ajustar la altura de corte a la posición 4.
- ▶ Plegar el manillar.



- ▶ Agarrar el cortacésped con una mano por la cubierta (1) y, con la otra, por la consola (2).
- ▶ Poner el cortacésped en posición vertical, de manera que las consolas (2) toquen el suelo.

17.2 Limpiar el cortacésped

- ▶ Apagar el cortacésped, retirar la llave de seguridad y sacar la batería.
- ▶ Limpiar el cortacésped con un paño húmedo.
- ▶ Limpiar el canal de expulsión y el canal de expulsión lateral con un cepillo blando o un paño húmedo.
- ▶ Sacar cualquier objeto extraño del compartimento de la batería y limpiar dicho compartimento con un paño húmedo.
- ▶ Limpiar los contactos eléctricos del compartimento de la batería con un pincel o un cepillo suave.
- ▶ Limpiar las ranuras de ventilación con un pincel.
- ▶ Volcar el cortacésped hacia atrás.
- ▶ Limpiar la zona alrededor de la cuchilla y la cuchilla misma con un palo de madera, un cepillo blando o un paño húmedo.

17.3 Limpiar el acumulador

- ▶ Limpiar el acumulador con un paño húmedo.

18 Mantenimiento

18.1 Afilar y equilibrar la cuchilla

Se requiere mucha práctica para afilar y equilibrar una cuchilla correctamente.

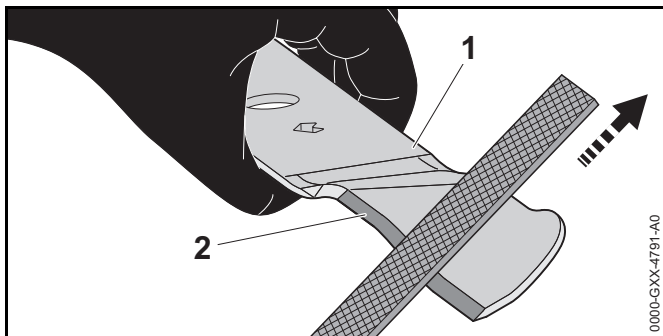
Limas, ayudas de afilado y dispositivos de afilado de la marca STIHL ayudan a afilar la cuchilla correctamente.

STIHL recomienda encargar el afilado y equilibrado de la cuchilla a un distribuidor especializado STIHL.

⚠ ADVERTENCIA

Los filos de corte de la cuchilla están afilados. El usuario se puede cortar.

- ▶ Llevar guantes protectores de material resistente.
-
- ▶ Apagar el cortacésped, retirar la llave de seguridad y sacar la batería.
 - ▶ Volcar el cortacésped hacia atrás.
 - ▶ Desmontar la cuchilla.



- ▶ Afilar el filo de corte (2) con una lima plana STIHL aplicando un movimiento hacia delante. Al hacerlo, tener en cuenta el ángulo de afilado; 21.2.
- ▶ Dar la vuelta a la cuchilla (1).
- ▶ Afilar el otro filo de corte (2).
- ▶ Montar la cuchilla.
- ▶ En caso de dudas: consultar a un distribuidor especializado STIHL.

19 Reparación

19.1 Reparar el cortacésped y el acumulador


El usuario no puede realizar la reparación del cortacésped, la cuchilla y el acumulador él mismo.

- ▶ Si el cortacésped o la cuchilla está averiado: no utilizar el cortacésped o la cuchilla y acudir a un distribuidor especializado STIHL.
- ▶ Si el acumulador está averiado o dañado: sustituirlo.
- ▶ Si hay rótulos indicadores ilegibles o dañados: llevarlo a un distribuidor especializado STIHL para su sustitución.

20 Subsanan las perturbaciones

20.1 Subsanan las anomalías del cortacésped o de la batería

Anomalía	LED en batería	Causa	Solución
El cortacésped no arranca al conectarlo.	1 LED parpadea en verde.	El estado de carga de la batería es demasiado bajo.	<ul style="list-style-type: none"> ▶ Cargar la batería.
	1 LED se enciende en rojo.	La batería está demasiado caliente o demasiado fría.	<ul style="list-style-type: none"> ▶ Retirar la llave de seguridad. ▶ Sacar la batería. ▶ Dejar que la batería se enfríe o se caliente.
	3 LED parpadean en rojo.	El cortacésped presenta una anomalía.	<ul style="list-style-type: none"> ▶ Retirar la llave de seguridad. ▶ Sacar la batería. ▶ Limpiar los contactos eléctricos del compartimento de la batería. ▶ Colocar la batería. ▶ Encender el cortacésped. ▶ Si 3 LED siguen parpadeando en rojo: no utilizar el cortacésped y consultar a un distribuidor especializado STIHL.
	3 LED se encienden en rojo.	El cortacésped está demasiado caliente.	<ul style="list-style-type: none"> ▶ Retirar la llave de seguridad. ▶ Sacar la batería. ▶ Dejar que el cortacésped se enfríe.
	4 LED parpadean en rojo.	Hay una anomalía en la batería.	<ul style="list-style-type: none"> ▶ Sacar y colocar otra vez la batería. ▶ Encender el cortacésped. ▶ Si 4 LED siguen parpadeando en rojo: no utilizar la batería y consultar a un distribuidor especializado STIHL.
		La conexión eléctrica entre el cortacésped y la batería está interrumpida.	<ul style="list-style-type: none"> ▶ Retirar la llave de seguridad. ▶ Sacar la batería. ▶ Limpiar los contactos eléctricos del compartimento de la batería. ▶ Insertar la llave de seguridad. ▶ Colocar la batería.

Anomalía	LED en batería	Causa	Solución
		El cortacésped o la batería están húmedos.	<ul style="list-style-type: none"> ▶ Retirar la llave de seguridad. ▶ Sacar la batería. ▶ Limpiar el cortacésped. ▶ Dejar que se seque el cortacésped o la batería;  21.5.
		La resistencia en la cuchilla es excesiva.	<ul style="list-style-type: none"> ▶ Ajustar una altura de corte mayor. ▶ Encender el cortacésped en hierba más baja.
El cortacésped se apaga durante el servicio.	3 LED se encienden en rojo.	El cortacésped está demasiado caliente.	<ul style="list-style-type: none"> ▶ Retirar la llave de seguridad. ▶ Sacar la batería. ▶ Dejar que el cortacésped se enfríe. ▶ Limpiar el cortacésped. ▶ No encender el cortacésped demasiadas veces en poco tiempo. ▶ Avanzar más lentamente. ▶ Ajustar una altura de corte mayor. ▶ Cortar hierba más baja.
		La cuchilla está bloqueada.	<ul style="list-style-type: none"> ▶ Retirar la llave de seguridad. ▶ Sacar la batería. ▶ Limpiar el cortacésped.
		Existe una anomalía eléctrica.	<ul style="list-style-type: none"> ▶ Sacar y colocar otra vez la batería. ▶ Encender el cortacésped.
El tiempo de servicio del cortacésped es demasiado breve.		La batería no está completamente cargada.	<ul style="list-style-type: none"> ▶ Cargar la batería completamente.
		Se ha sobrepasado la vida útil de la batería.	<ul style="list-style-type: none"> ▶ Sustituir la batería.
Tras colocar la batería en el cargador, el proceso de carga no se inicia.	1 LED se enciende en rojo.	La batería está demasiado caliente o demasiado fría.	<ul style="list-style-type: none"> ▶ Dejar la batería dentro del cargador. El proceso de carga comenzará automáticamente cuando se alcance el rango de temperatura admisible.

21 Datos técnicos

21.1 Cortacésped STIHL RMA 460

- Batería admisible: STIHL AK
- Peso sin batería: 25 kg
- Capacidad máxima del recogedor de hierba: 60 l
- Ancho de corte: 46 cm
- Régimen: 3200 rpm
- Régimen en modo ECO: 2800 rpm

El tiempo de funcionamiento se indica en www.stihl.com/battery-life.

21.2 Cuchillas

- Grosor: 2,5 mm
- Grosor mínimo: 2,0 mm
- Ancho: 50 mm
- Ancho mínimo: 45 mm
- Ángulo de afilado: 30°

21.3 Akku STIHL AK

- Tecnología de acumulador: iones de litio
- Tensión: 36 V
- Capacidad en Ah: véase la placa de características
- Contenido de energía en Wh: véase la placa de características
- Peso en kg: véase la placa de características

21.4 Límites de temperatura



ADVERTENCIA

La batería no está protegida de todas las influencias ambientales. Si la batería está sometida a ciertas influencias ambientales, es posible que se incendie o explote. Pueden producirse lesiones graves y daños materiales.

- ▶ No cargar la batería a menos de - 20 °C ni a más de + 50 °C.
- ▶ No utilizar el cortacésped o la batería a menos de - 20 °C ni a más de + 50 °C.
- ▶ No guardar el cortacésped o la batería a menos de - 20 °C ni a más de + 70 °C.

21.5 Rangos de temperatura recomendados

Para un rendimiento óptimo del cortacésped y de las baterías, deben observarse los siguientes rangos de temperatura:

- Carga: + 5 °C a + 40 °C
- Uso: - 10 °C a + 40 °C
- Almacenamiento: - 20 °C a + 50 °C

Si la batería se carga, utiliza o almacena fuera de los rangos de temperatura recomendados, su rendimiento puede verse reducido.

Si la batería está mojada o húmeda, dejarla que se seque durante al menos 48 horas a más de + 15 °C y menos de + 50 °C y con una humedad inferior al 70 %. Una mayor humedad puede prolongar el tiempo de secado.

21.6 Indicaciones normativas

STIHL Tirol GmbH
Hans Peter Stihl-Straße 5
6336 Langkampfen
Austria

confirma que la máquina cumple con las prescripciones dado que se aplican las normas IEC 60335-1 y IEC 60335-2-77.

21.7 REACH

REACH designa una ordenanza CE para el registro, evaluación y homologación de productos químicos.

Para informaciones para cumplimentar la ordenanza REACH, véase www.stihl.com/reach.

- ▶ Llevar los productos STIHL, incluido el embalaje, a un centro de recogida adecuado para su reciclaje, de acuerdo con la normativa local.
- ▶ No se deben desechar con la basura normal.

22 Piezas de repuesto y accesorios

22.1 Piezas de repuesto y accesorios

STIHL Estos símbolos caracterizan las piezas de repuesto STIHL y los accesorios originales STIHL.



STIHL recomienda emplear piezas de repuesto STIHL y accesorios originales STIHL.

Las piezas de repuesto y los accesorios de fabricantes externos no pueden ser evaluados por STIHL en lo que respecta a su fiabilidad, seguridad y aptitud pese a una observación continua del mercado por lo que STIHL tampoco puede responsabilizarse de su aplicación.

Las piezas de repuesto y los accesorios originales STIHL se pueden adquirir en un distribuidor especializado STIHL.

23 Gestión de residuos

23.1 Gestionar como residuo el cortacésped y el acumulador

Se puede obtener información sobre la eliminación de residuos en la administración local o en un distribuidor especializado STIHL.

Una eliminación inadecuada puede dañar la salud y contaminar el medio ambiente.

Índice

1	Prefácio	88
2	Informações sobre este manual de instruções	89
2.1	Documentos aplicáveis	89
2.2	Identificação de avisos no texto	89
2.3	Símbolos no texto	89
3	Visão geral	89
3.1	Cortador de grama e bateria	89
3.2	Símbolos	90
4	Indicações de segurança	91
4.1	Símbolos de avisos	91
4.2	Utilização prevista	92
4.3	Requisitos aos usuários	92
4.4	Roupas e equipamentos	93
4.5	Área de trabalho e arredores	93
4.6	Situação segura de funcionamento	94
4.7	Trabalho	96
4.8	Transporte	97
4.9	Armazenagem	98
4.10	Limpeza, manutenção e reparo	98
5	Preparar o cortador de grama	99
5.1	Preparar o cortador de grama	99
6	Carregar bateria e LEDs	100
6.1	Carregar a bateria recarregável	100
6.2	Indicação do nível de carga	100
6.3	LEDs na bateria	100
7	Montar o cortador de grama	100
7.1	Montar o guidão	100
7.2	Engatar e desengatar o cesto coletor de grama	101
7.3	Inserir e retirar o kit moedor	101
7.4	Engatar e desengatar a guia	101
7.5	Montar e desmontar a lâmina de corte	102
8	Ajustar o cortador de grama para o usuário	103
8.1	Abrir e ajustar o guidão	103
8.2	Dobrar o guidão	104
9	Conectar e desconectar a chave de ativação	104
9.1	Inserir a chave de ativação	104
9.2	Tirar a chave de ativação	105
10	Inserir e tirar a bateria	105
10.1	Inserir a bateria recarregável	105
10.2	Tirar a bateria	105
11	Ligar e desligar o cortador de grama	106
11.1	Ligar o cortador de grama	106
11.2	Desligar o cortador de grama	106
12	Verificar o cortador de grama e a bateria	106
12.1	Verificar os elementos de manejo	106
12.2	Verificar a lâmina de corte	107
12.3	Verificar a bateria	107
13	Trabalhar com o cortador de grama	107
13.1	Segurar e conduzir o cortador de grama	107
13.2	Ajustar a altura de corte	107
13.3	Ligar em modo ECO	108
13.4	Modo semiautomático e cobertura do solo	108
14	Após o trabalho	108
14.1	Após o trabalho	108
15	Transporte	109
15.1	Transportar o cortador de grama	109
15.2	Transportar a bateria recarregável	109
16	Armazenagem	109
16.1	Guardar o cortador de grama	109
16.2	Armazenar a bateria recarregável	109
17	Limpeza	110
17.1	Posicionar o cortador de grama	110
17.2	Limpar o cortador de grama	110
17.3	Limpar a bateria	110
18	Manutenção	111
18.1	Afiar e balancear a lâmina	111



Este manual de instruções de serviços está protegido por direitos autorais. Todos os direitos são reservados, especialmente o direito de reprodução, tradução e processamento em sistemas eletrônicos.

19 Consertos	111
19.1 Consertar o cortador de grama e a bateria	111
20 Solucionar distúrbios	112
20.1 Solucionar problemas no cortador de grama ou na bateria	112
21 Dados técnicos	114
21.1 Cortador de grama STIHL RMA 460	114
21.2 Lâmina de corte	114
21.3 Bateria STIHL AK	114
21.4 Limites de temperatura	114
21.5 Intervalos de temperatura recomendados	114
21.6 Instrução normativa	114
22 Peças de reposição e acessórios	115
22.1 Peças de reposição e acessórios	115
23 Descarte	115
23.1 Descartar o cortador de grama e a bateria recarregável	115

1 Prefácio

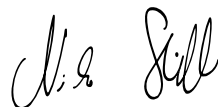
Prezado cliente,

Queremos agradecer a sua preferência pela STIHL. Nós desenvolvemos e fabricamos os nossos produtos de qualidade superior, de acordo com as necessidades dos nossos clientes. Isso resulta em produtos com alta confiabilidade, mesmo em condições extremas.

A STIHL também se destaca pela excelência em serviços. Nossas Concessionárias garantem assistência técnica especializada e amplo suporte técnico.

A STIHL afirma expressamente ter um comportamento sustentável e responsável com a natureza. Este manual de instruções deve auxiliá-lo a utilizar seu produto STIHL por uma vida útil longa de forma segura e ambientalmente correta.

Agradecemos a sua confiança e desejamos que tenha muita satisfação com seu produto STIHL.



Dr. Nikolas Stihl

Endereço

STIHL Ferramentas Motorizadas Ltda.
Av. São Borja, 3000
93032-524 SÃO LEOPOLDO - RS
Serviço de Atendimento ao Consumidor (SAC):
0800 707 5001

info@stihl.com.br

www.stihl.com.br

CNPJ: 87.235.172/0001-22

**IMPORTANTE! LER ANTES DO USO E DEPOIS
GUARDAR.**

2 Informações sobre este manual de instruções

2.1 Documentos aplicáveis

Observar os regulamentos de segurança locais vigentes.

- ▶ Além deste manual de instruções, ler, entender e guardar os seguintes documentos:
 - Indicações de segurança da bateria recarregável STIHL AK
 - Manual de instruções do carregador STIHL AL 101, 301, 500
 - Informações sobre segurança para baterias STIHL e produtos com bateria integrada: www.stihl.com/safety-data-sheets

2.2 Identificação de avisos no texto

PERIGO

O aviso indica perigos, que resultam em ferimentos graves ou morte.

- ▶ As medidas mencionadas podem evitar lesões graves ou morte.

ATENÇÃO

O aviso indica perigos, que **podem** resultar em ferimentos graves ou morte.

- ▶ As medidas mencionadas podem evitar lesões graves ou morte.

AVISO

O aviso indica perigos, que podem levar a danos materiais.

- ▶ As medidas mencionadas podem evitar danos materiais.

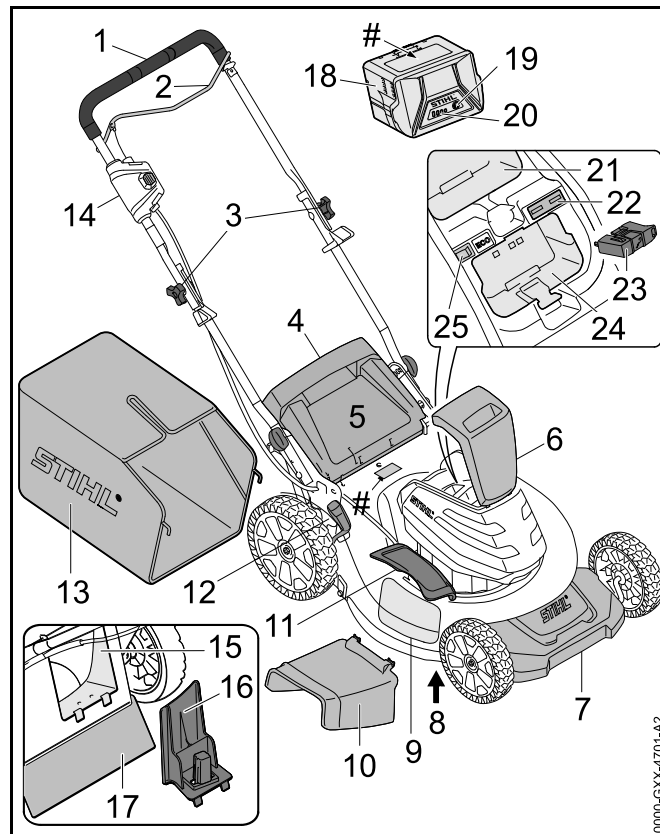
2.3 Símbolos no texto



Este símbolo refere-se a um capítulo deste manual de instruções.

3 Visão geral

3.1 Cortador de grama e bateria



1 Guidão

O guidão serve para segurar, conduzir e transportar o cortador de grama.

2 Alavanca de acionamento

A alavanca de acionamento, junto com o botão de bloqueio, liga e desliga o cortador de grama.

3 Botão de regulagem

O botão de regulagem fixa a parte superior do guidão na parte inferior do guidão.

4 Tampa de expulsão

A tampa de expulsão fecha o canal de expulsão.

5 Alavanca

A alavanca bloqueia a regulagem do guidão.

6 Aba

A aba cobre a bateria, o interruptor ECO e a chave de ativação e protege contra sujeira.

7 Cobertura

A cobertura protege o cortador de grama e serve para transportá-lo.

8 Lâmina

A lâmina corta e moe a grama.

9 Canal de expulsão lateral

O canal de expulsão lateral guia a grama cortada para o lado.

10 Guia

O guia conduz a grama cortada no solo.

11 Aba de expulsão lateral

A aba de expulsão lateral fecha o canal de expulsão lateral.

12 Alavanca

A alavanca serve para ajustar a altura de corte.

13 Cesta de coleta de grama

A cesta de coleta de grama coleta a grama cortada.

14 Botão de bloqueio

O botão de bloqueio, junto com a alavanca de acionamento, liga e desliga o cortador de grama.

15 Canal de expulsão

O canal de expulsão guia a grama cortada para dentro da cesta de coleta de grama.

16 Dispositivo de cobertura do solo

O dispositivo de cobertura do solo fecha o canal de expulsão.

17 Proteção

A proteção protege o operador de objetos que podem ser arremessados e do contato com a lâmina.

18 Bateria

A bateria alimenta o cortador de grama com energia.

19 Botão de pressão

O botão de pressão ativa os LEDs na bateria.

20 LEDs

Os LEDs indicam o estado de carga da bateria e falhas.

21 Compartimento da bateria

O compartimento da bateria aloja uma bateria de reposição.

22 Conector da chave

O conector da chave aloja a chave de segurança.

23 Chave de ativação

A chave de ativação ativa o cortador de grama.

24 Compartimento da bateria

O compartimento da bateria aloja a bateria.

25 Interruptor ECO

O interruptor ECO liga e desliga o modo ECO.

Plaqueta de potência com o número da máquina**3.2 Símbolos**

É possível ver símbolos no cortador de grama e na bateria e eles significam o seguinte:



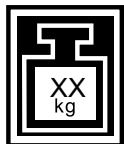
Este símbolo representa a chave de ativação.



Este símbolo representa o conector da chave.



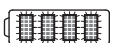
Este símbolo representa o interruptor ECO.



Este símbolo indica o peso do cortador de grama.



1 LED vermelho aceso. A bateria está muito quente ou muito fria.



4 LEDs piscando em vermelho. Existe uma falha na bateria.



O LED verde está aceso e os LEDs verdes na bateria estão acesos ou piscando. A bateria está sendo carregada.



O LED vermelho está piscando. Sem contato elétrico entre o carregador e a bateria ou existe uma falha no carregador ou na bateria.



LWA Nível de potência acústica garantido segundo a Instrução Normativa 2000/14/EC em dB(A) para poder comparar as emissões sonoras de produtos.



A informação ao lado do símbolo indica o conteúdo energético da bateria conforme a especificação do fabricante das células. O conteúdo de energia disponível na utilização é menor.



Não descartar o produto no lixo doméstico.

4 Indicações de segurança

4.1 Símbolos de avisos

Os símbolos de avisos que estão no cortador de grama ou na bateria significam o seguinte:



Observar as instruções de segurança e suas ações.



Ler, entender e guardar o manual de instruções.



Utilizar óculos de proteção.



Observar as indicações de segurança para objetos lançados e as medidas a serem adotadas.



Não encostar na lâmina de corte em movimento.



Tirar a bateria durante pausas no trabalho, transporte, armazenagem, manutenção ou reparos.



Retirar a chave de ativação durante pausas no trabalho, transporte, armazenagem, manutenção ou reparos.



Manter uma distância segura.



Proteger a bateria do calor e de fogo.



Proteger o cortador de grama e a bateria de chuva e umidade e não mergulhá-los em líquidos.

4.2 Utilização prevista

O cortador de grama STIHL RMA 460 serve para cortar e moer a grama seca.

O cortador de grama não pode ser utilizado na chuva.

A bateria STIHL AK abastece o cortador de grama com energia.

⚠ ATENÇÃO

- Baterias que não foram liberadas pela STIHL para o cortador de grama, podem causar incêndios e explosões. Pessoas podem sofrer ferimentos graves ou fatais e podem ocorrer danos materiais.
 - ▶ Usar o cortador de grama com uma bateria STIHL AK.
- Se o cortador de grama ou a bateria não forem utilizados conforme especificado, os usuários podem sofrer ferimentos graves ou fatais e podem ocorrer danos materiais.
 - ▶ Usar o cortador de grama e a bateria, conforme descrito no manual de instruções.

4.3 Requisitos aos usuários

⚠ ATENÇÃO

- Usuários que não foram instruídos podem não reconhecer ou não avaliar corretamente os perigos do cortador de grama e da bateria. O usuário ou outras pessoas podem sofrer ferimentos graves ou fatais.



- ▶ Ler, entender e guardar o manual de instruções.

- ▶ Se o cortador de grama ou a bateria são passados para outra pessoa: entregar o manual de instruções junto.
- ▶ Certificar-se de que o usuário atenda aos seguintes requisitos:
 - Que ele esteja descansado.
 - Que ele tenha capacidade física, sensorial e mental para manusear e trabalhar com o cortador de grama e a bateria. Se o usuário tiver capacidades físicas, sensoriais ou mentais reduzidas, ou não tiver experiência e conhecimento, ele só deve utilizar o equipamento sob supervisão de uma pessoa responsável pela sua segurança.
 - O usuário pode reconhecer e avaliar os perigos do cortador de grama e da bateria.
 - O usuário é maior de idade ou o usuário está sendo treinado, conforme as leis trabalhistas nacionais, sob a supervisão de um profissional.
 - Que ele tenha recebido instruções de um técnico em um Ponto de Vendas STIHL, antes de utilizar pela primeira vez o cortador de grama.
 - Que ele não esteja sob efeito de álcool, drogas ou medicamentos.
- ▶ Em caso de dúvidas: consultar um Ponto de Vendas STIHL.

4.4 Roupas e equipamentos

⚠️ ATENÇÃO

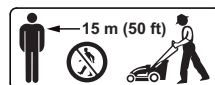
- Durante o trabalho, objetos podem ser lançados em alta velocidade. O usuário pode sofrer ferimentos.
 - ▶ Vestir calças compridas feitas de material resistente.
- Durante o trabalho, pode haver formação de poeira. Poeira inalada pode prejudicar a saúde e desencadear reações alérgicas.
 - ▶ No caso de haver formação de poeira: usar uma máscara de proteção contra poeira.
- Roupas inadequadas podem se enroscar em madeira, arbustos e no cortador de grama. Usuários sem a roupa adequada podem sofrer ferimentos graves.
 - ▶ Usar roupas justas.
 - ▶ Tirar xales e acessórios.
- Durante a limpeza, manutenção ou transporte, o usuário pode entrar em contato com a lâmina. O usuário pode sofrer ferimentos.
 - ▶ Usar luvas de proteção.
- Se o usuário usar calçados inadequados, ele pode escorregar. O usuário pode sofrer ferimentos.
 - ▶ Usar calçados firmes e fechados com sola antiderrapante.
- Durante o processo de afiamento da lâmina, partículas de material podem ser arremessadas a alta velocidade. O usuário pode sofrer ferimentos.
 - ▶ Usar óculos de proteção bem ajustados. Os óculos de proteção adequados são testados de acordo com a norma EN 166 ou de acordo com regulamentos nacionais e podem ser adquiridos no mercado de acordo com a respectiva identificação.
 - ▶ Usar luvas de proteção.

4.5 Área de trabalho e arredores

4.5.1 Cortador de grama

⚠️ ATENÇÃO

- Pessoas não envolvidas no trabalho, crianças e animais podem não reconhecer e não avaliar corretamente os perigos do cortador de grama nem reconhecer ou avaliar objetos lançados em alta velocidade. Pessoas não envolvidas no trabalho, crianças e animais podem sofrer ferimentos graves e pode haver danos materiais.



- ▶ Manter as pessoas não envolvidas no trabalho, crianças e animais afastados da zona de trabalho em um raio de 15 metros.
- ▶ Manter uma distância de 15 metros de outros objetos.
- ▶ Não deixar o cortador de grama sem vigilância.
- ▶ Assegurar que crianças não possam brincar com o cortador de grama.
- Se o trabalho for realizado na chuva, o usuário poderá escorregar. O usuário pode sofrer ferimentos graves ou fatais.
 - ▶ Se estiver chovendo: não trabalhar.
- O cortador de grama não é à prova de água. Se ele for utilizado na chuva ou em ambientes úmidos, há risco de choque elétrico. O usuário pode sofrer ferimentos e o cortador de grama pode ser danificado.
 - ▶ Não usar a máquina na chuva ou em ambientes úmidos.
 - ▶ Não cortar nem moer grama molhada.
- Componentes elétricos do cortador de grama podem gerar faíscas. As faíscas podem causar fogo e explosões em ambientes inflamáveis ou explosivos. Pessoas podem sofrer ferimentos graves ou fatais e pode haver danos materiais.
 - ▶ Não trabalhar em ambientes inflamáveis nem em ambientes explosivos.




4.5.2 Bateria

⚠ ATENÇÃO

- Outras pessoas, crianças e animais podem não conseguir perceber ou prever os perigos da bateria. Outras pessoas, crianças e animais podem sofrer ferimentos graves.
 - ▶ Manter pessoas não autorizadas, crianças e animais afastados da área de trabalho.
 - ▶ Não deixar a bateria sem vigilância.
 - ▶ Certificar-se de que as crianças não brinquem com a bateria.
- A bateria não está protegida contra todas as influências ambientais. Se a bateria for exposta a determinadas condições ambientais adversas, ela pode pegar fogo, explodir ou sofrer danos irreparáveis. Podem ocorrer ferimentos pessoais e danos materiais.



- ▶ Proteger a bateria do calor e de fogo.
- ▶ Não jogar a bateria no fogo.

- ▶ Não carregar, usar ou guardar a bateria em ambientes com temperaturas acima dos limites recomendados,  21.4.



- ▶ Proteger a bateria de chuva e umidade e não mergulhá-la em líquidos.

- ▶ Manter a bateria longe de pequenas peças de metal.
- ▶ Não expor a bateria à alta pressão.
- ▶ Não expor a bateria a microondas.
- ▶ Proteger a bateria contra produtos químicos e sais.

4.6 Situação segura de funcionamento

4.6.1 Cortador de grama

O cortador de grama está em acordo com as exigências de segurança se as seguintes condições forem satisfeitas:

- O cortador de grama não apresenta danos.
- O cortador de grama está limpo e seco.
- Os elementos de manejo estão funcionando e não foram alterados.
- Se a grama for cortada e ela tiver que ser coletada no cesto coletor de grama: o inserto de corte foi removido, o guia foi desengatado e o cesto coletor de grama está corretamente enganchado.
- Se a grama for cortada e ela tiver que ser expulsa lateralmente: o cesto coletor de grama foi removido, o inserto de corte está encaixado corretamente e o guia está engatado corretamente.
- Se tiver que ser moído: o guia e o cesto coletor de grama foram removidos e o inserto de corte está encaixado corretamente.
- A lâmina está instalada corretamente.
- A proteção está montada corretamente.
- Os acessórios instalados neste cortador de grama são originais STIHL.
- Os acessórios estão instalados corretamente.

⚠ ATENÇÃO



- Em um estado que não esteja de acordo com as exigências de segurança, é possível que os componentes não funcionem mais corretamente e os dispositivos de segurança sejam desativados. Pessoas podem sofrer ferimentos graves ou fatais.
 - ▶ Trabalhar com um cortador de grama sem danos.
 - ▶ Se o cortador de grama estiver sujo ou molhado: limpar o cortador de grama e deixá-lo secar.
 - ▶ Não modificar o cortador de grama.

- ▶ Se os elementos de manejo não estiverem funcionando: não trabalhar com o cortador de grama.
- ▶ Se a grama for cortada e ela tiver que ser coletada no cesto coletor de grama: remover o inserto de corte, desengatar o guia e engatar o cesto coletor de grama conforme descrito neste manual de instruções.
- ▶ Se a grama for cortada e ela tiver que ser expulsa lateralmente: remover o cesto coletor de grama, instalar o inserto de corte e engatar o guia conforme descrito neste manual de instruções.
- ▶ Se tiver que ser moído: desengatar o guia e o cesto coletor de grama e instalar o inserto de corte conforme descrito neste manual de instruções.
- ▶ Instalar acessórios originais STIHL neste cortador de grama.
- ▶ Instalar a lâmina conforme descrito neste manual de instruções.
- ▶ Instalar os acessórios conforme descrito neste manual de instruções ou no manual de instruções do acessório.
- ▶ Não inserir objetos nas aberturas do cortador de grama.
- ▶ Não conectar nem curto-circuitar os contatos do conector da chave com objetos metálicos.
- ▶ Substituir as etiquetas de avisos gastas ou danificadas.
- ▶ Em caso de dúvidas: contatar um Ponto de Vendas STIHL.

4.6.2 Lâmina

A lâmina está em condições seguras, se forem atendidos os seguintes requisitos:

- A lâmina e as peças de fixação não estão danificadas.
- A lâmina não está deformada.
- A lâmina está instalada corretamente.
- A lâmina está afiada corretamente.
- A lâmina está sem rebarbas.
- A lâmina está balanceada corretamente.

- A espessura mínima e a largura mínima da lâmina não foram alcançadas,  21.2.
- O ângulo de afiação está preservado,  21.2.

⚠ ATENÇÃO


- Em condições não seguras, algumas peças da lâmina podem se soltar e serem lançadas. Pessoas podem sofrer ferimentos graves.
 - ▶ Trabalhar com lâmina e peças de fixação íntegras.
 - ▶ Montar a lâmina corretamente.
 - ▶ Afiar a lâmina corretamente.
 - ▶ Se a medição ficar abaixo da espessura mínima ou da largura mínima: substituir a lâmina.
 - ▶ Balancear a lâmina em um Ponto de Vendas STIHL.
 - ▶ Em caso de dúvidas: contatar um Ponto de Vendas STIHL.

4.6.3 Bateria

A bateria está em condições seguras se forem atendidos os seguintes requisitos:

- A bateria não está danificada.
- A bateria está limpa e seca.
- A bateria funciona e não foi modificada.

⚠ ATENÇÃO

- Em condições não seguras, a bateria não pode mais funcionar com segurança. As pessoas podem sofrer ferimentos graves.
 - ▶ Trabalhar com uma bateria sem danos e que esteja funcionando.
 - ▶ Não carregar uma bateria danificada ou com defeito.
 - ▶ Se a bateria estiver suja: limpar a bateria.
 - ▶ Se a bateria estiver molhada ou úmida: deixar a bateria secar,  21.5.
 - ▶ Não modificar a bateria.

- ▶ Não inserir objetos nas aberturas da bateria.
- ▶ Não ligar os contatos elétricos da bateria com objetos metálicos.
- ▶ Não abrir a bateria.
- ▶ Substituir etiquetas de aviso gastas ou danificadas.
- Pode haver vazamento de líquido de uma bateria danificada. Se o fluido da bateria entrar em contato com a pele e com os olhos, ele pode causar irritação.
 - ▶ Evitar contato com este líquido.
 - ▶ Em caso de contato acidental com a pele: lavar a área de contato com bastante água e sabão.
 - ▶ Se ocorrer contato com os olhos: lavá-los, pelo menos, por 15 minutos com bastante água e procurar um médico.
- Uma bateria danificada ou defeituosa pode ter cheiro incomum, emitir fumaça ou queimar. Pessoas podem sofrer ferimentos graves ou fatais e podem ocorrer danos materiais.
 - ▶ Se a bateria exalar um odor diferente ou estiver emitindo fumaça: não usar a bateria e mantê-la afastada de materiais inflamáveis.
 - ▶ Se a bateria estiver em chamas: tentar apagar o fogo com um extintor de incêndio ou com água.

4.7 Trabalho

ATENÇÃO

- Em determinadas situações, o usuário não consegue mais trabalhar concentrado. O usuário pode tropeçar, cair e sofrer ferimentos graves.
 - ▶ Trabalhar com calma e concentração.
 - ▶ Se as condições de luminosidade e visualização forem ruins: não trabalhar com o cortador de grama.
 - ▶ Operar o cortador de grama sozinho.
 - ▶ Prestar atenção aos obstáculos.
 - ▶ Trabalhar de pé no chão e manter o equilíbrio.
 - ▶ Se aparecerem sinais de cansaço: fazer uma pausa.

- ▶ Se o trabalho for em terreno inclinado: cortar a grama transversalmente à inclinação.
- ▶ Não trabalhar em terrenos com inclinação superior a 25° (46,6%).

- A lâmina que está girando pode cortar o usuário. O usuário pode ser gravemente ferido.



- ▶ Não tocar na lâmina que está girando.
- ▶ Se a lâmina estiver bloqueada por um objeto: desligar o cortador de grama, tirar a chave de ativação e retirar a bateria. Só então retirar o objeto.



- Se o cortador de grama apresentar um comportamento alterado ou anormal durante o trabalho, é possível que ele esteja sendo operado em condições inseguras. Pessoas podem sofrer ferimentos graves e pode haver danos materiais.
 - ▶ Interromper o trabalho, retirar a chave de ativação, retirar a bateria e procurar um Ponto de Vendas STIHL.
- Durante o trabalho, podem ocorrer vibrações no cortador de grama.
 - ▶ Usar luvas de proteção.
 - ▶ Fazer pausas no trabalho.
 - ▶ Se surgirem indícios de problema circulatório: procurar um médico.

- Ao soltar a alavanca de acionamento para cortar grama, a lâmina ainda continua girando por um curto período de tempo. Pessoas podem sofrer ferimentos graves.
 - ▶ Aguardar até que a lâmina não gire mais.
- Se a lâmina que está girando atingir um objeto duro, podem ocorrer faíscas. As faíscas podem causar incêndios em ambiente inflamável. Pessoas podem sofrer ferimentos graves ou fatais e pode haver danos materiais.
 - ▶ Não trabalhar em ambiente inflamável.
- Se o cortador de grama for desligado em áreas mais inclinadas, ele pode se mover dali acidentalmente. Pessoas podem sofrer ferimentos e pode haver danos materiais.
 - ▶ Somente soltar o cortador de grama se ele estiver sobre uma superfície plana e não puder se mover dali por si só.
- Se objetos forem presos à barra de condução, este peso adicional pode causar o tombamento do cortador de grama. Pessoas podem sofrer ferimentos e pode haver danos materiais.
 - ▶ Não prender objetos na barra de condução.

⚠ PERIGO

- Se o trabalho for realizado nas imediações de fios elétricos, a lâmina poderá entrar em contato com esses fios e danificá-los. O usuário pode sofrer ferimentos graves ou fatais.
 - ▶ Não trabalhar em áreas com condutores de eletricidade.
- Se o trabalho for realizado durante um temporal, o usuário pode ser atingido por um raio. O usuário pode sofrer ferimentos graves ou fatais.
 - ▶ No caso de tempestade: não trabalhar.

4.8 Transporte

4.8.1 Cortador de grama

⚠ ATENÇÃO

- Durante o transporte, o cortador de grama pode tombar ou se mover. Pessoas podem sofrer ferimentos e pode haver danos materiais.



- ▶ Tirar a chave de ativação.



- ▶ Retirar a bateria.

- ▶ Prender o cortador de grama com cintas tensionadoras, cintos ou uma rede de forma que ele não possa tombar nem se mover.
- O cortador de grama é pesado. Se o usuário do cortador de grama carregá-lo sozinho, ele pode se machucar.
 - ▶ Carregar o cortador de grama a dois.

4.8.2 Bateria

⚠ ATENÇÃO

- A bateria não está protegida contra todos os agentes externos. Se a bateria for exposta a determinadas condições ambientais adversas, ela pode ser danificada e pode haver danos materiais.
 - ▶ Não transportar uma bateria danificada.
- Durante o transporte a bateria pode cair ou se mover. As pessoas podem sofrer ferimentos e pode haver danos materiais.
 - ▶ Acondicionar a bateria na embalagem, de forma que ela não possa se mover.
 - ▶ Fixar a embalagem de tal forma, que ele não possa se mover.

4.9 Armazenagem

4.9.1 Cortador de grama

⚠ ATENÇÃO

- Crianças são incapazes de reconhecer e avaliar os riscos que o cortador de grama apresenta. Crianças podem sofrer ferimentos graves.



- ▶ Tirar a chave de ativação.



- ▶ Retirar a bateria.

- ▶ Guardar o cortador de grama longe do alcance de crianças.

- Os contatos elétricos no cortador de grama e componentes metálicos podem apresentar corrosão devido à umidade. O cortador de grama pode ser danificado.



- ▶ Tirar a chave de ativação.



- ▶ Retirar a bateria.

- ▶ Guardar o cortador de grama limpo e seco.

4.9.2 Bateria recarregável

⚠ ATENÇÃO

- Crianças são incapazes de reconhecer e avaliar os riscos que a bateria recarregável apresenta. Crianças podem sofrer ferimentos graves.
 - ▶ Armazenar a bateria recarregável longe do alcance de crianças.
- A bateria recarregável não está protegida contra todas as influências ambientais. Se a bateria recarregável for exposta a determinadas condições ambientais, ela pode ser danificada de forma irreparável.
 - ▶ Armazenar a bateria recarregável limpa e seca.
 - ▶ Armazenar a bateria recarregável em um recinto fechado.
 - ▶ Armazenar a bateria recarregável separada do cortador de grama.
 - ▶ Se a bateria recarregável for armazenada no carregador: remover o conector de rede e armazenar a bateria recarregável com um estado de carga entre 40% e 60% (2 LEDs acesos em verde).
 - ▶ Não armazenar a bateria fora dos limites de temperatura especificados, 21.4.

4.10 Limpeza, manutenção e reparo

⚠ ATENÇÃO

- Se durante os trabalhos de limpeza, manutenção ou reparo, a chave de ativação e a bateria estiverem inseridas, o cortador de grama pode ser ligado acidentalmente. Pessoas podem sofrer ferimentos graves e pode haver danos materiais.



- ▶ Tirar a chave de ativação.



▶ Retirar a bateria.

- Produtos de limpeza abrasivos, limpeza com jato de água ou com objetos pontiagudos podem danificar o cortador de grama, a lâmina e a bateria. Se cortador de grama, lâmina e bateria não foram limpos de forma adequada, é possível que os componentes não funcionem mais corretamente e os dispositivos de segurança sejam desativados. Pessoas podem sofrer ferimentos graves.
 - ▶ Limpar o cortador de grama, a lâmina e a bateria conforme descrito neste manual de instruções.
- Se cortador de grama, a lâmina ou a bateria não forem mantidos ou reparados de forma adequada, é possível que os componentes não funcionem mais corretamente e os dispositivos de segurança sejam desativados. Pessoas podem sofrer ferimentos graves ou fatais.
 - ▶ Não fazer manutenção ou reparos no cortador de grama e na bateria por conta própria.
 - ▶ Caso seja necessário fazer manutenção ou reparo na bateria ou no cortador de grama: contatar um Ponto de Vendas STIHL.
 - ▶ Fazer a manutenção da lâmina conforme descrito neste manual de instruções.
- Durante a limpeza, manutenção ou reparo da lâmina, o usuário pode se cortar em gumes afiados. O usuário pode sofrer ferimentos.
 - ▶ Usar luvas de proteção feitas com material resistente.
- Durante o afiamento, a lâmina pode ficar quente. O usuário pode se queimar.
 - ▶ Aguardar até que a lâmina tenha esfriado.
 - ▶ Usar luvas de proteção feitas com material resistente.

5 Preparar o cortador de grama

5.1 Preparar o cortador de grama


Antes de iniciar cada trabalho, sempre realizar as seguintes etapas:

- ▶ Remover o material de embalagem e os dispositivos de segurança do transporte.
- ▶ Certificar-se que o estado dos seguintes componentes esteja em conformidade com as exigências de segurança:
 - Cortador de grama, 4.6.1.
 - Lâmina, 4.6.2.
 - Bateria recarregável, 4.6.3.
- ▶ Verificar a bateria recarregável, 12.3.
- ▶ Carregar a bateria recarregável completamente, 6.1.
- ▶ Limpar o cortador de grama, 17.2.
- ▶ Verificar a lâmina, 12.2.
- ▶ Montar a barra de condução, 7.1.
- ▶ Abrir e ajustar a barra de condução, 8.1.
- ▶ Se a grama for cortada e ela for coletada no cesto coletor de grama:
 - ▶ Desengatar o guia, 7.3.2.
 - ▶ Remover o inserto de corte, 7.3.2.
 - ▶ Enganchar o cesto coletor de grama, 7.2.1.
- ▶ Se a grama for cortada e ela tiver que ser conduzida para o lado no solo:
 - ▶ Remover o inserto de corte, 7.3.2.
 - ▶ Desenganchar o cesto coletor de grama, 7.2.2.
 - ▶ Engatar o guia, 7.4.1.
- ▶ Se tiver que ser moído:
 - ▶ Desengatar o guia, 7.4.2.
 - ▶ Desenganchar o cesto coletor de grama, 7.2.2.
 - ▶ Engatar o inserto de corte, 7.3.1.
- ▶ Ajustar a altura de corte, 13.2.
- ▶ Verificar os elementos de manejo, 12.1.

- ▶ Se não for possível seguir as etapas: não utilizar o cortador de grama e procurar um Ponto de Vendas STIHL.

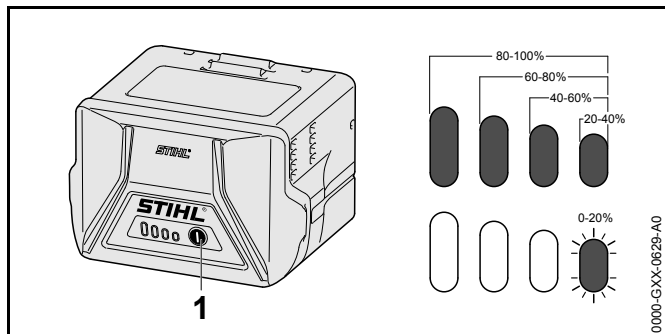
6 Carregar bateria e LEDs

6.1 Carregar a bateria recarregável

O tempo de carga depende de vários fatores como a temperatura da bateria recarregável ou do ambiente. Para um desempenho ideal, respeite os intervalos de temperatura recomendados,  21.5. O tempo de carga real pode ser diferente do tempo de carga especificado. O tempo de carga consta em www.stihl.com/charging-times.

- ▶ Carregar a bateria recarregável conforme descrito no manual de instruções dos carregadores STIHL AL 101, 301 e 500.

6.2 Indicação do nível de carga




- ▶ Pressionar o botão (1). Os LEDs verdes acendem por aproximadamente 5 segundos e mostram o nível de carga.
- ▶ Se o LED verde, direito estiver piscando: carregar a bateria.

6.3 LEDs na bateria

Os LEDs podem indicar a carga da bateria ou possíveis distúrbios. Os LEDs podem estar acesos ou piscando na cor verde ou vermelha.

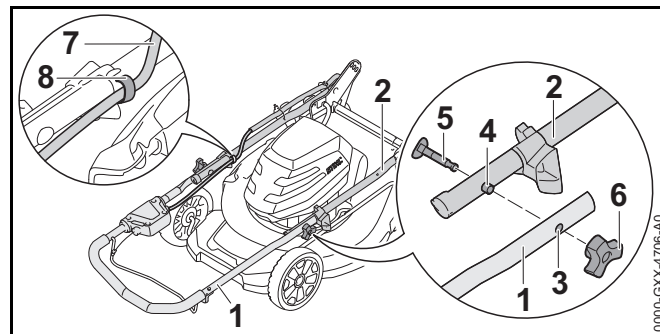
Se os LEDs verdes estiverem acesos ou piscando, é indicado o estado da carga da bateria.

- ▶ Se os LEDs vermelhos estiverem acesos ou piscando: solucionar distúrbios,  20.1. Existe um distúrbio no cortador de grama ou na bateria.

7 Montar o cortador de grama

7.1 Montar o guidão

- ▶ Desligar o cortador de grama, tirar a chave de ativação e retirar a bateria.
- ▶ Colocar o cortador de grama sobre uma superfície plana.

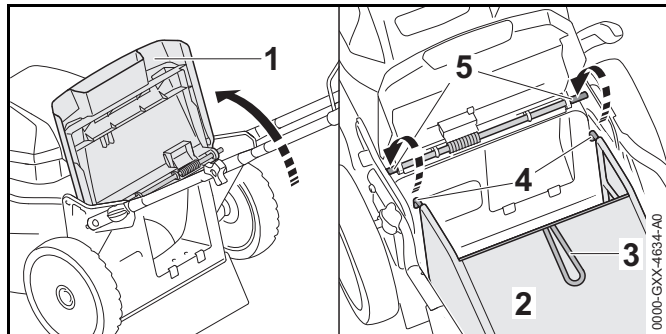


- ▶ Montar a parte superior do guidão (1) e a parte inferior do guidão (2) de modo que em ambos os lados o pino (4) se encaixe no furo (3).
- ▶ Colocar o parafuso (5) de tal forma que em ambos os lados a cabeça do parafuso esteja ajustada precisamente na parte inferior do guidão (2).
- ▶ Soltar o botão de regulagem (6).
- ▶ Pressionar o cabo (7) no suporte (8). O guidão não precisa ser desmontado novamente.

7.2 Engatar e desengatar o cesto coletor de grama

7.2.1 Engatar o cesto coletor de grama

- ▶ Desligar o cortador de grama, tirar a chave de segurança e retirar a bateria.
- ▶ Colocar o cortador de grama sobre uma superfície plana.
- ▶ Caso a guia esteja engatada: desengatar a guia.
- ▶ Caso o kit moedor esteja inserido: retirar o kit moedor.



- ▶ Abrir e segurar a aba de saída (1).
- ▶ Segurar o cesto coletor de grama (2) no pegador (3) e engatar os ganchos (4) no eixo (5).
- ▶ Deitar a aba de saída (1) em cima do cesto coletor de grama (2).

7.2.2 Pendurar a cesta de coleta de grama

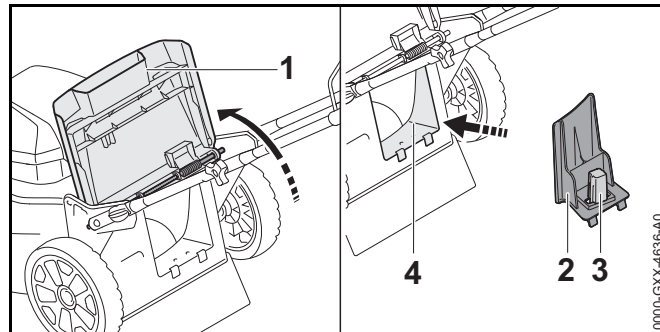
- ▶ Desligar o cortador de grama.
- ▶ Colocar o cortador de grama sobre uma superfície plana.
- ▶ Abrir a tampa de expulsão e mantê-la aberta.
- ▶ Remover a cesta de coleta de grama pelo apoio para cima.
- ▶ Fechar a tampa de expulsão.

7.3 Inserir e retirar o kit moedor

7.3.1 Inserir o kit moedor

- ▶ Desligar o cortador de grama, tirar a chave de segurança e retirar a bateria.

- ▶ Colocar o cortador de grama sobre uma superfície plana.



- ▶ Abrir e segurar a aba de saída (1).
- ▶ Segurar o kit moedor (2) no pegador (3) e engatar no canal de saída (4).
- ▶ Fechar a aba de saída (1).

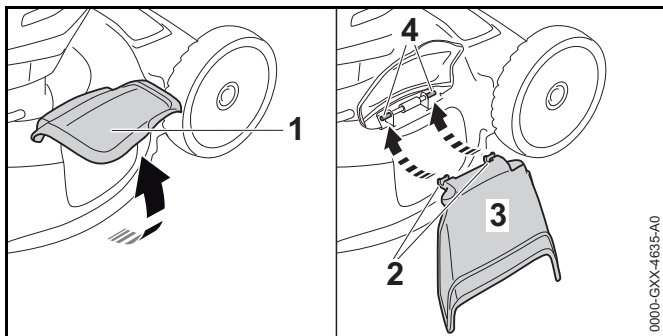
7.3.2 Retirar o kit moedor

- ▶ Desligar o cortador de grama, tirar a chave de segurança e retirar a bateria.
- ▶ Colocar o cortador de grama sobre uma superfície plana.
- ▶ Abrir e segurar a aba de saída.
- ▶ Retirar o kit moedor.
- ▶ Fechar a aba de saída.

7.4 Engatar e desengatar a guia

7.4.1 Engatar a guia

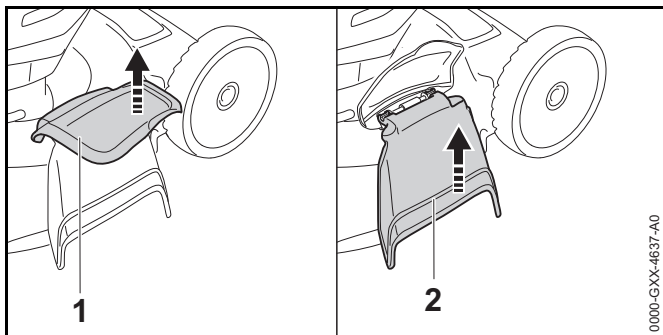
- ▶ Desligar o cortador de grama, tirar a chave de segurança e retirar a bateria.
- ▶ Colocar o cortador de grama sobre uma superfície plana.



- ▶ Abrir e segurar a aba de saída lateral (1).
- ▶ Engatar os ganchos (2) por baixo no eixo (4).
- ▶ Deitar a aba de saída lateral (1) sobre a guia (3).

7.4.2 Desengatar a guia

- ▶ Desligar o cortador de grama, tirar a chave de segurança e retirar a bateria.
- ▶ Colocar o cortador de grama sobre uma superfície plana.

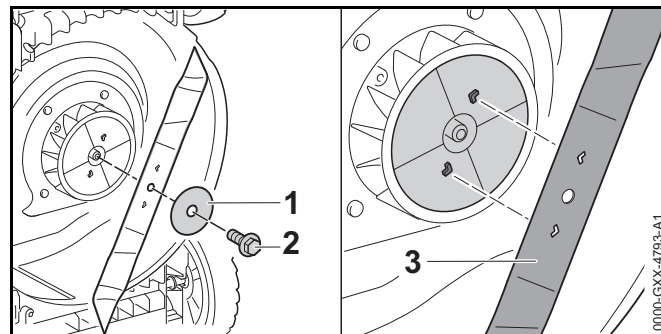


- ▶ Abrir e segurar a aba de saída lateral (1).
- ▶ Levantar a guia (2) e retirá-la.
- ▶ Fechar a aba de saída lateral (1).

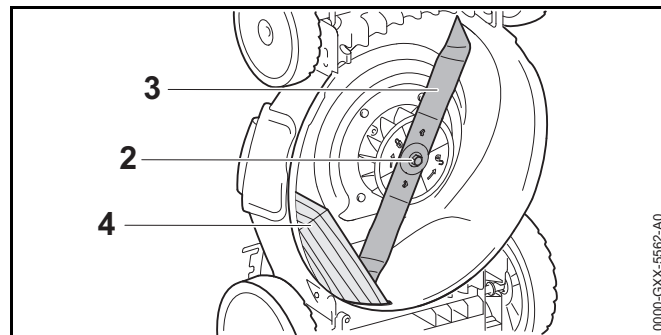
7.5 Montar e desmontar a lâmina de corte

7.5.1 Montar a lâmina

- ▶ Desligar o cortador de grama, tirar a chave de ativação e retirar a bateria.
- ▶ Posicionar o cortador de grama.



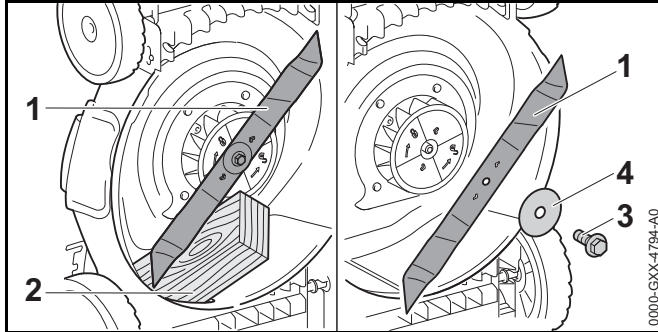
- ▶ Inserir a nova arruela (1) no novo parafuso (2).
- ▶ Aplicar trava rosca Loctite 243 ou Loctite 242 na rosca do parafuso (2).
- ▶ Encaixar a lâmina (3) de forma que as saliências na superfície de apoio encaixem nos rebaixos da lâmina (3).



- ▶ Aparafusar o parafuso (2) junto com a arruela (1).
- ▶ Bloquear a lâmina (3) com um calço de madeira (4).
- ▶ Apertar o parafuso (2) com 35 Nm.

7.5.2 Desmontar a lâmina

- ▶ Desligar o cortador de grama, tirar a chave de ativação e retirar a bateria.
- ▶ Posicionar o cortador de grama.

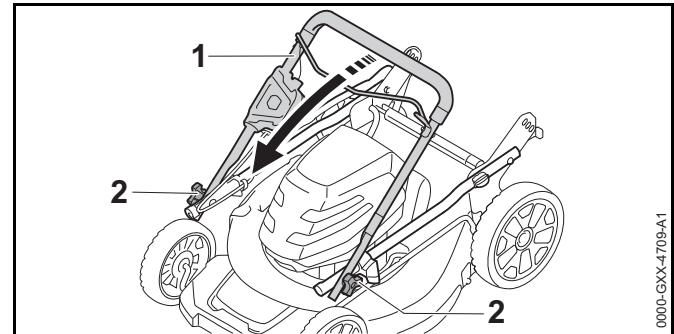


- ▶ Bloquear a lâmina (1) com um calço de madeira (2).
- ▶ Desrosquear o parafuso (3) e retirá-lo com a arruela (4).
- ▶ Remover a lâmina (1).
- ▶ Descartar o parafuso (3) e a arruela (4).
Para a fixação da lâmina (1), utilizar um parafuso e uma arruela novos.

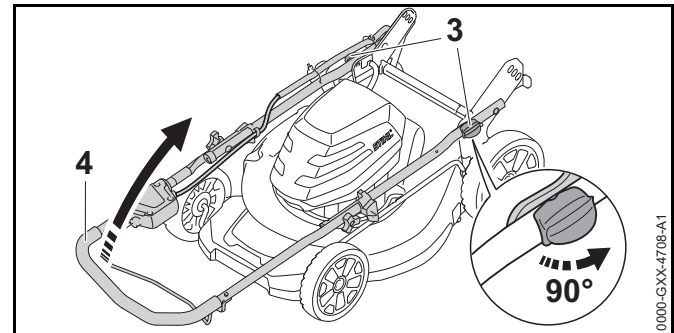
8 Ajustar o cortador de grama para o usuário

8.1 Abrir e ajustar o guidão

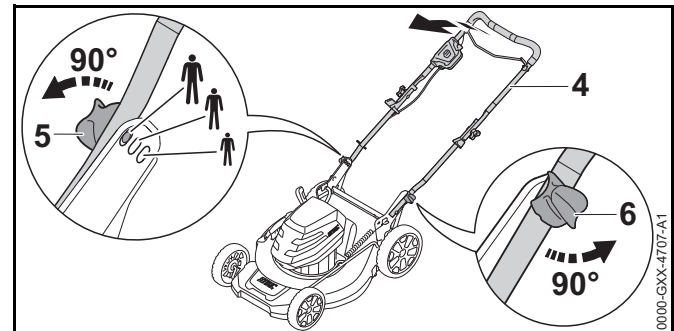
- ▶ Desligar o cortador de grama, tirar a chave de ativação e retirar a bateria.
- ▶ Colocar o cortador de grama sobre uma superfície plana.



- ▶ Abrir a parte superior do guidão (1).
- ▶ Apertar os botões de regulagem (2).



- ▶ Girar a alavanca (3) em 90°.
- ▶ Abrir completamente o guidão (4).

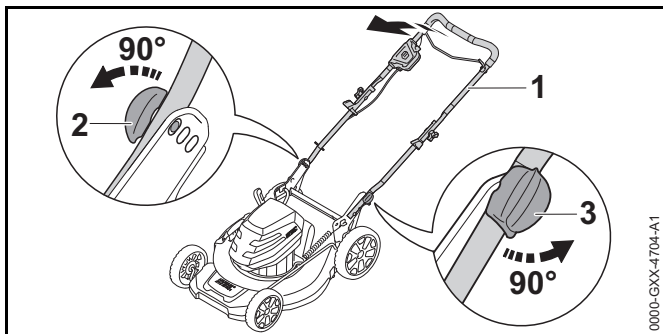


- ▶ Posicionar o guidão (4) de forma que os pinos das alavancas (5 e 6) fiquem alinhados nas posições desejadas.
- ▶ Girar as alavancas (5 e 6) em 90°.
Os pinos das alavancas (5 e 6) engatam nos furos à mesma altura.

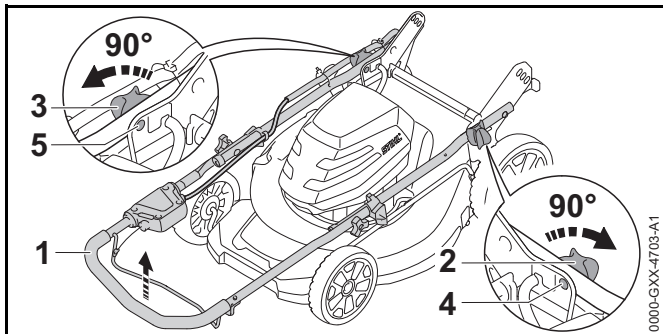
8.2 Dobrar o guidão

O guidão pode ser dobrado para ocupar menos espaço durante o transporte ou o armazenamento.

- ▶ Desligar o cortador de grama, tirar a chave de ativação e retirar a bateria.
- ▶ Colocar o cortador de grama sobre uma superfície plana.

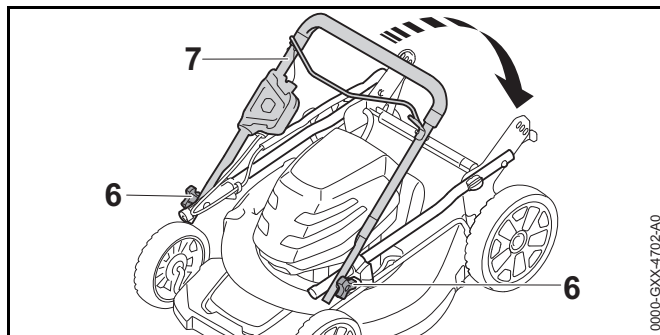


- ▶ Segurar o guidão (1) e girar a alavanca (2) em 90°.
- ▶ Girar a alavanca (3) em 90°.
- ▶ Dobrar o guidão (1).



9 Conectar e desconectar a chave de ativação

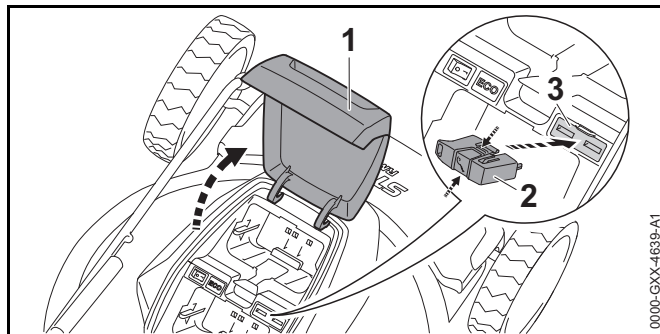
- ▶ Girar as duas alavancas (2 e 3) em 90°.
 - ▶ Pressionar o guidão (1) para cima, até que os pinos (4 e 5) das alavancas (2 e 3) engatem.
- O guidão (1) está fixado.



- ▶ Soltar os botões de regulação (6).
- ▶ Dobrar a parte superior do guidão (7).

9 Conectar e desconectar a chave de ativação

9.1 Inserir a chave de ativação



- ▶ Abrir a aba (1) até o encosto e segurá-la.
- ▶ Pressionar a chave de ativação (2) e mantê-la pressionada.
- ▶ Inserir a chave de ativação (2) no conector da chave (3).
A chave de ativação (2) encaixa com um clique.

- ▶ Fechar a tampa (1).

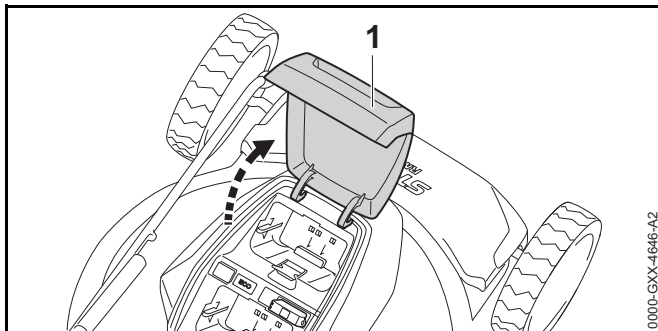
9.2 Tirar a chave de ativação

- ▶ Abrir a aba até o encosto e segurá-la.
- ▶ Pressionar a chave de ativação e mantê-la pressionada.
- ▶ Tirar a chave de ativação.
- ▶ Fechar a aba.
- ▶ Guardar a chave de ativação fora do alcance de crianças.

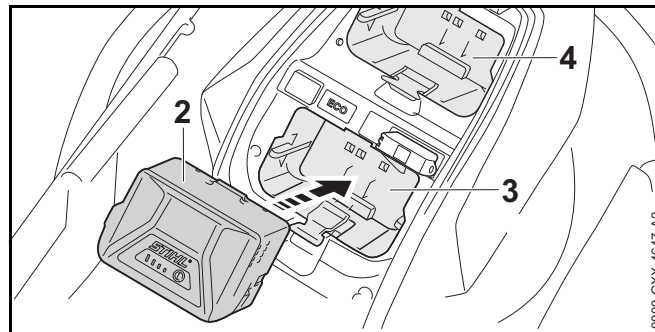
10 Inserir e tirar a bateria

10.1 Inserir a bateria recarregável

O cortador de grama é equipado com dois compartimentos para bateria. É possível levar uma bateria de reposição.



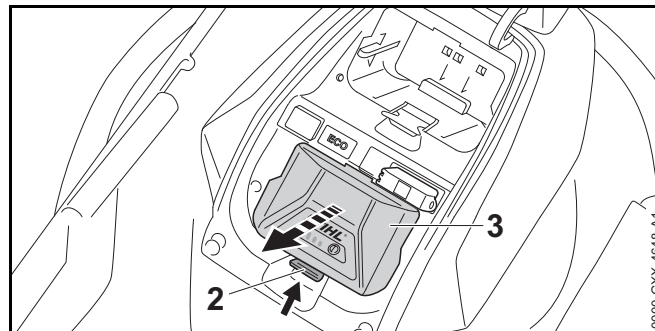
- ▶ Abrir a tampa (1) até o encosto e segurá-la.



- ▶ Pressionar a bateria recarregável (2) até o batente no compartimento da bateria (3). A bateria recarregável (2) encaixa com um clique e está travada.
- ▶ Se for necessário levar uma bateria de reposição: inserir a bateria de reposição no compartimento da bateria (4). A bateria encaixa com um clique e está travada.
- ▶ Fechar a tampa (1).

10.2 Tirar a bateria

- ▶ Colocar o cortador de grama sobre uma superfície plana.
- ▶ Abrir a aba (1) até o encosto e segurá-la.

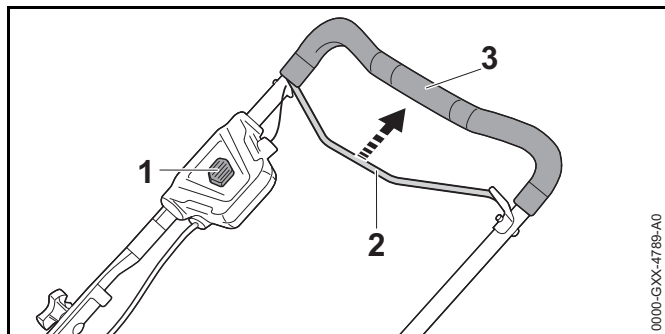


- ▶ Pressionar a alavanca de bloqueio (2). A bateria (3) está desbloqueada e pode ser retirada.
- ▶ Fechar a aba (1).

11 Ligar e desligar o cortador de grama

11.1 Ligar o cortador de grama

- ▶ Colocar o cortador de grama sobre uma superfície plana.



- ▶ Pressionar o botão de bloqueio (1) com a mão direita e mantê-lo pressionado.
- ▶ Com a mão esquerda, puxar a alavanca de acionamento (2) totalmente no sentido do guidão (3) e mantê-la assim para que o polegar envolva o guidão (3). A lâmina começa a girar.
- ▶ Soltar o botão de bloqueio (1).
- ▶ Prender o guidão (3) e a alavanca de acionamento (2) com a mão direita de forma que o polegar envolva o guidão (3).

11.2 Desligar o cortador de grama

- ▶ Soltar a alavanca de acionamento.
- ▶ Aguardar até a lâmina parar de girar.
- ▶ Se a lâmina continuar girando: tirar a chave de ativação, remover a bateria e procurar um Ponto de Vendas STIHL. O cortador de grama está com defeito.

12 Verificar o cortador de grama e a bateria

12.1 Verificar os elementos de manejo

Botão de bloqueio e alavanca de acionamento

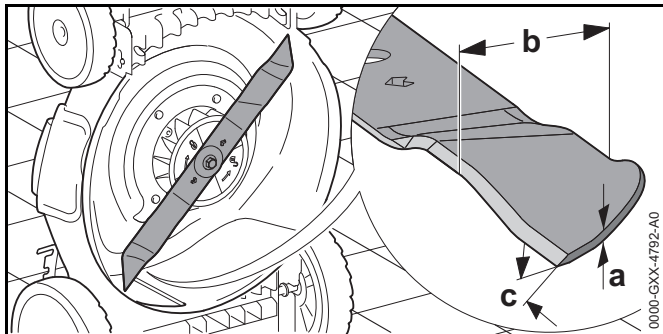
- ▶ Tirar a chave de ativação.
- ▶ Retirar a bateria.
- ▶ Pressionar o botão de bloqueio e soltá-lo novamente.
- ▶ Puxar a alavanca de acionamento totalmente na direção do guidão e soltá-la novamente.
- ▶ Se for difícil atuar o botão de bloqueio ou a alavanca de acionamento não voltar automaticamente para a posição inicial: não utilizar o cortador de grama e procurar um Ponto de Vendas STIHL. O botão de bloqueio ou a alavanca de acionamento estão com defeito.

Acionar a lâmina

- ▶ Inserir a chave de ativação.
- ▶ Colocar a bateria.
- ▶ Pressionar o botão de bloqueio com a mão direita e mantê-lo pressionado.
- ▶ Com a mão esquerda, puxar a alavanca de acionamento totalmente no sentido do guidão e mantê-la assim para que o polegar envolva o guidão. A lâmina começa a girar.
- ▶ Se 3 LEDs continuarem piscando em vermelho: tirar a chave de ativação, remover a bateria e procurar um Ponto de Vendas STIHL. Existe uma falha no cortador de grama.
- ▶ Soltar o botão de bloqueio e alavanca de acionamento. Depois de um tempo, a lâmina para de girar.
- ▶ Se a lâmina continuar girando: tirar a chave de ativação, remover a bateria e procurar um Ponto de Vendas STIHL. O cortador de grama está com defeito.

12.2 Verificar a lâmina de corte

- ▶ Desligar o cortador de grama, tirar a chave de segurança e retirar a bateria.
- ▶ Posicionar o cortador de grama.



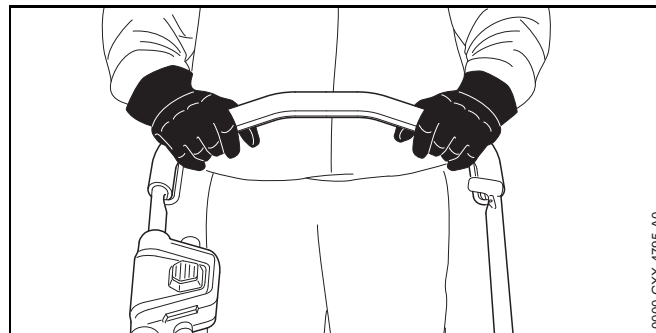
- ▶ Medir o seguinte:
 - espessura a
 - largura b
 - ângulo de afiação c
- ▶ Se a espessura mínima ou a largura mínima não for alcançada: substituir a lâmina de corte, 21.2.
- ▶ Se o ângulo de afiação não for cumprido: afiar a lâmina de corte, 21.2.
- ▶ Em caso de dúvidas: consultar um Ponto de Vendas STIHL.

12.3 Verificar a bateria

- ▶ Pressionar o botão de pressão na bateria. Os LEDs acendem ou piscam.
- ▶ Se os LEDs não acenderem ou piscarem: não utilizar a bateria e consultar uma Concessionária STIHL. Existe uma falha na bateria.

13 Trabalhar com o cortador de grama

13.1 Segurar e conduzir o cortador de grama



- ▶ Segurar a barra de direção com as duas mãos, para que os polegares envolvam a barra de direção.

13.2 Ajustar a altura de corte

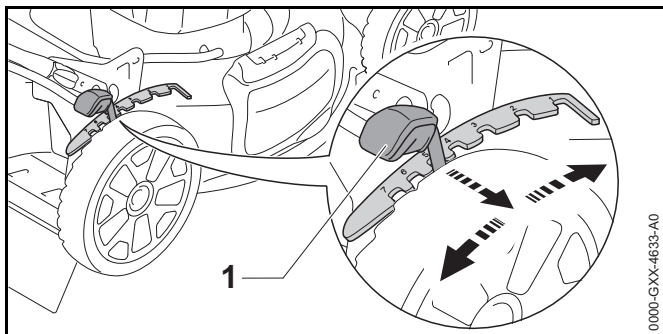
Dependendo da utilização, existe a possibilidade de ajustar sete alturas de corte:

- 35 mm = Posição 1
- 50 mm = Posição 2
- 63 mm = Posição 3
- 74 mm = Posição 4
- 83 mm = Posição 5
- 90 mm = Posição 6
- 98 mm = Posição 7

As posições são informadas no cortador de grama.

Ajustar a altura de corte

- ▶ Desligar o cortador de grama. A lâmina de corte não pode estar em movimento.
- ▶ Colocar o cortador de grama sobre uma superfície plana.

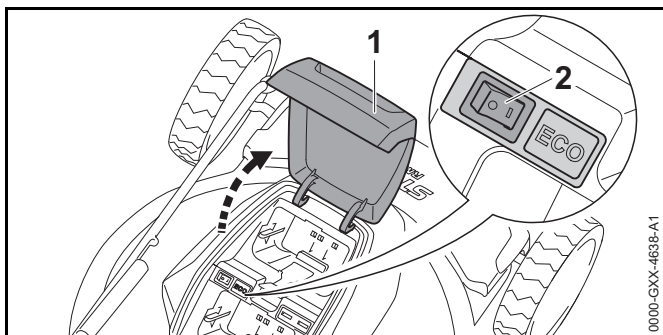


- ▶ Puxar a alavanca (1) do rebaixo e engatar a posição desejada.

13.3 Ligar em modo ECO

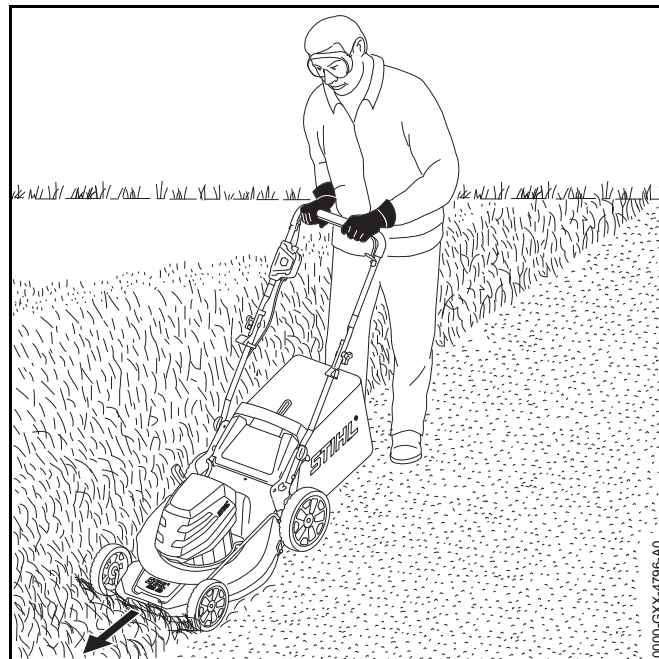
Ao ativar o modo ECO, o cortador de grama reconhecerá as condições de trabalho atuais e ajustará automaticamente a rotação apropriada para a lâmina de corte.

A duração da bateria pode ser prolongada.



- ▶ Abrir a aba (1) até o encosto e segurá-la.
- ▶ Colocar o interruptor ECO (2) na posição I.
- ▶ Fechar a aba (1).

13.4 Modo semiautomático e cobertura do solo



- ▶ Empurrar o cortador de grama lenta e controladamente para a frente.

Para um desempenho ideal, respeite os intervalos de temperatura recomendados, 21.5.

14 Após o trabalho

14.1 Após o trabalho

- ▶ Desligar o cortador de grama, tirar a chave de ativação e retirar a bateria.
- ▶ Se o cortador de grama estiver molhado: deixar o cortador de grama secar.
- ▶ Se a bateria estiver úmida ou molhada: deixar a bateria secar, 21.5.
- ▶ Limpar o cortador de grama.

- ▶ Limpar a bateria.

15 Transporte

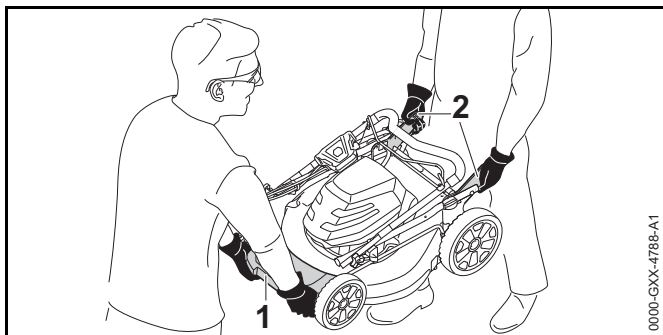
15.1 Transportar o cortador de grama

- ▶ Desligar o cortador de grama.
A lâmina não pode mais girar.
- ▶ Tirar a chave de ativação e remover a bateria.

Empurrar o cortador de grama.

- ▶ Empurrar o cortador de grama lenta e controladamente em marcha para a frente.

Carregar o cortador de grama



- ▶ Dobrar o guidão.
- ▶ Usar luvas de proteção feitas de material resistente.
- ▶ Segurar o cortador de grama com as duas mãos na cobertura (1) e com as duas mãos nos consoles (2) e carregá-lo a dois.

Se o cortador de grama for transportado em um veículo

- ▶ Prender o cortador de grama em pé, de forma que ele não possa tombar nem se mover.

15.2 Transportar a bateria recarregável

- ▶ Desligar o cortador de grama e retirar a bateria recarregável.
- ▶ Certificar-se que a bateria recarregável esteja em estado de acordo com as exigências de segurança.
- ▶ Acondicionar a bateria recarregável de modo que ela não possa se mover na embalagem.
- ▶ Assegurar a embalagem de forma que ela não possa se mover.

A bateria recarregável está sujeita aos requisitos para transporte de produtos perigosos. A classificação da bateria recarregável é UN 3480 (bateria recarregável de íon lítio) e foi testada conforme o Manual de Critérios e Ensaios da ONU, Parte III, Subcapítulo 38.3.

As especificações de transporte são encontradas em www.stihl.com/safety-data-sheets

16 Armazenagem


16.1 Guardar o cortador de grama

- ▶ Desligar o cortador de grama, tirar a chave de ativação e retirar a bateria recarregável.
- ▶ Guardar o cortador de grama de modo que sejam atendidas as seguintes condições:
 - O cortador de grama está fora do alcance de crianças.
 - O cortador de grama está limpo e seco.
 - Não existe possibilidade de o cortador de grama tombar.
 - Não existe possibilidade de o cortador de grama mover-se acidentalmente.

16.2 Armazenar a bateria recarregável

A STIHL recomenda armazenar a bateria recarregável em um estado de carga entre 40% e 60% (2 LEDs acesos em verde).

- ▶ Armazenar a bateria recarregável de modo a satisfazer as seguintes condições:

- A bateria recarregável está armazenada fora do alcance de crianças.
- A bateria recarregável está limpa e seca.
- A bateria recarregável está em um recinto fechado.
- A bateria recarregável está separada do cortador de grama.
- Se a bateria recarregável for armazenada no carregador: remover o conector de rede e armazenar a bateria recarregável com um estado de carga entre 40% e 60% (2 LEDs acesos em verde).
- Não armazenar a bateria fora do intervalo de temperatura especificado,  21.4.

AVISO

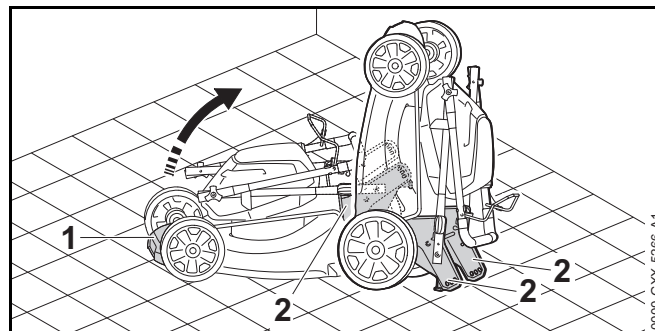
Se a bateria recarregável não for armazenada como descrito neste manual de instruções, ela poderá descarregar totalmente de forma que não possa ser reparada.

- ▶ Carregar uma bateria recarregável descarregada antes de armazená-la. A STIHL recomenda armazenar a bateria recarregável em um estado de carga entre 40% e 60% (2 LEDs acesos em verde).
- ▶ Armazenar a bateria recarregável separada do cortador de grama.

17 Limpeza

17.1 Posicionar o cortador de grama

- ▶ Desligar o cortador de grama, tirar a chave de segurança e retirar a bateria.
- ▶ Colocar o cortador de grama sobre uma superfície plana.
- ▶ Ajustar a altura de corte no nível 4.
- ▶ Dobrar a barra de direção.



- ▶ Segurar o cortador de grama com uma mão na cobertura (1) e com a outra mão no console (2).
- ▶ Posicionar o cortador de grama, de forma que os consoles (2) encostem no chão.

17.2 Limpar o cortador de grama

- ▶ Desligar o cortador de grama, tirar a chave de ativação e retirar a bateria.
- ▶ Limpar o cortador de grama com um pano úmido.
- ▶ Limpar o canal de expulsão e canal de expulsão lateral com uma escova macia ou um pano úmido.
- ▶ Remover resíduos do compartimento da bateria e limpar o compartimento com um pano úmido.
- ▶ Limpar os contatos elétricos no compartimento da bateria com um pincel ou com uma escova macia.
- ▶ Limpar as fendas de suspiro com um pincel.
- ▶ Posicionar o cortador de grama.
- ▶ Limpar a região ao redor da lâmina e a lâmina com um graveto de madeira, uma escova macia ou um pano úmido.

17.3 Limpar a bateria

- ▶ Limpar a bateria com um pano úmido.

18 Manutenção

18.1 Afiar e balancear a lâmina

Afiar e balancear a lâmina corretamente é uma tarefa muito exigente.

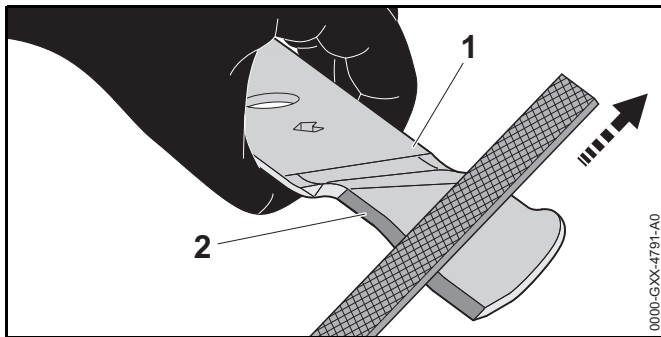
Limas STIHL, ferramentas de afiação STIHL e aparelhos de afiação STIHL ajudam na afiação correta da lâmina.


A STIHL recomenda que a lâmina seja afiada e balanceada em um Ponto de Vendas STIHL.

ATENÇÃO

Os gumes da lâmina são afiados. O usuário pode se cortar.

- ▶ Usar luvas de proteção feitas com material resistente.
-
- ▶ Desligar o cortador de grama, tirar a chave de ativação e retirar a bateria.
 - ▶ Colocar o cortador de grama em pé.
 - ▶ Desmontar a lâmina.



- ▶ Afiar o gume (2) com uma lima chata STIHL com um movimento de avanço. Observar o ângulo de afiação,  21.2.
- ▶ Virar a lâmina (1).
- ▶ Afiar o outro gume (2).
- ▶ Montar a lâmina.
- ▶ Em caso de dúvidas: contatar um Ponto de Vendas STIHL.

19 Consertos

19.1 Consertar o cortador de grama e a bateria


O usuário não pode consertar o cortador de grama, a lâmina de corte e a bateria por conta própria.

- ▶ Se o cortador de grama ou a lâmina de corte estiverem danificados: não utilizar o cortador de grama ou a lâmina de corte e procurar um Ponto de Vendas STIHL.
- ▶ Se a bateria estiver com defeito ou danificada: substituir a bateria.
- ▶ Se as etiquetas de avisos estiverem ilegíveis ou danificadas: procurar um Ponto de Vendas STIHL para substituí-las.

20 Solucionar distúrbios

20.1 Solucionar problemas no cortador de grama ou na bateria

Problema	LEDs na bateria	Causa	Solução
O cortador de grama não liga quando é acionado.	1 LED verde piscando.	A carga da bateria está muito baixa.	▶ Carregar a bateria.
	1 LED vermelho aceso.	A bateria está muito quente ou muito fria.	▶ Tirar a chave de ativação. ▶ Tirar a bateria. ▶ Deixar a bateria esfriar ou aquecer.
	3 LEDs vermelhos piscando.	Existe um problema no cortador de grama.	▶ Tirar a chave de ativação. ▶ Tirar a bateria. ▶ Limpar os contatos elétricos no compartimento da bateria. ▶ Colocar a bateria. ▶ Ligar o cortador de grama. ▶ Se 3 LEDs continuarem piscando em vermelho: não usar o cortador de grama e procurar um Ponto de Vendas STIHL.
	3 LEDs vermelhos acesos.	O cortador de grama está muito quente.	▶ Tirar a chave de ativação. ▶ Tirar a bateria. ▶ Deixar o cortador de grama esfriar.
	4 LEDs vermelhos piscando.	Existe um problema na bateria.	▶ Tirar a bateria e colocá-la novamente. ▶ Ligar o cortador de grama. ▶ Se 4 LEDs continuarem piscando em vermelho: não utilizar a bateria e procurar um Ponto de Vendas STIHL.
		A conexão elétrica entre o cortador de grama e a bateria foi interrompida.	▶ Tirar a chave de ativação. ▶ Tirar a bateria. ▶ Limpar os contatos elétricos no compartimento da bateria. ▶ Inserir a chave de ativação. ▶ Colocar a bateria.

Problema	LEDs na bateria	Causa	Solução
		O cortador de grama ou a bateria estão úmidos.	<ul style="list-style-type: none"> ▶ Tirar a chave de ativação. ▶ Tirar a bateria. ▶ Limpar o cortador de grama. ▶ Deixar o cortador de grama ou a bateria secarem,  21.5.
		A resistência na lâmina de corte é muito grande.	<ul style="list-style-type: none"> ▶ Ajustar uma altura de corte maior. ▶ Ligar o cortador de grama em grama mais baixa.
O cortador de grama desliga durante o trabalho.	3 LEDs vermelhos acesos.	O cortador de grama está muito quente.	<ul style="list-style-type: none"> ▶ Tirar a chave de ativação. ▶ Tirar a bateria. ▶ Deixar o cortador de grama esfriar. ▶ Limpar o cortador de grama. ▶ Não ligar o cortador de grama frequentemente em um curto espaço de tempo. ▶ Seguir em frente mais lentamente. ▶ Ajustar uma altura de corte maior. ▶ Cortar grama mais baixa.
		A lâmina de corte está bloqueada.	<ul style="list-style-type: none"> ▶ Tirar a chave de ativação. ▶ Tirar a bateria. ▶ Limpar o cortador de grama.
		Existe um problema elétrico.	<ul style="list-style-type: none"> ▶ Tirar a bateria e colocá-la novamente. ▶ Ligar o cortador de grama.
O tempo de funcionamento do cortador de grama é muito curto.		A bateria não está totalmente carregada.	▶ Carregar a bateria totalmente.
		A vida útil da bateria foi excedida.	▶ Substituir a bateria.
Após inserir a bateria no carregador, o processo de carga não inicia.	1 LED vermelho aceso.	A bateria está muito quente ou muito fria.	▶ Deixar a bateria inserida no carregador. O processo de carga inicia automaticamente assim que a faixa de temperatura permitida for atingida.

21 Dados técnicos

21.1 Cortador de grama STIHL RMA 460

- Bateria permitida: STIHL AK
- Peso sem bateria: 25 kg
- Conteúdo máximo da cesta de coleta de grama: 60 l
- Largura de corte: 46 cm
- Rotação: 3200 rpm
- Rotação no modo ECO: 2800 rpm

Em www.stihl.com/battery-life é indicada a duração da bateria.

21.2 Lâmina de corte

- Espessura: 2,5 mm
- Espessura mínima: 2,0 mm
- Largura: 50 mm
- Largura mínima: 45 mm
- Ângulo de afiação: 30°

21.3 Bateria STIHL AK

- Tecnologia da bateria: íons de lítio
- Tensão: 36 V
- Capacidade em Ah: ver plaqueta de identificação
- Teor de energia em Wh: ver plaqueta de identificação
- Peso em kg: ver placa de identificação

21.4 Limites de temperatura

ATENÇÃO

A bateria recarregável não está protegida contra todas as influências ambientais. Se a bateria for exposta a determinadas condições ambientais, ela pode incendiar ou explodir. Pessoas podem sofrer ferimentos graves e pode haver danos materiais.

- ▶ Não carregar a bateria abaixo de -20 °C ou acima de 50 °C.
- ▶ Não utilizar o cortador de grama ou a bateria recarregável abaixo de -20 °C ou acima de 50 °C.
- ▶ Não armazenar o cortador de grama ou a bateria recarregável abaixo de -20 °C ou acima de 70 °C.

21.5 Intervalos de temperatura recomendados

Para um desempenho ideal do cortador de grama e da bateria recarregável, respeitar os seguintes intervalos de temperatura:

- Carregamento: 5 °C até 40 °C
- Utilização: -10 °C até 40 °C
- Armazenamento: -20 °C até 50 °C

Se a bateria for carregada, utilizada ou armazenada fora dos intervalos de temperatura recomendados, é possível que haja uma redução no desempenho.

Se a bateria estiver molhada ou úmida, deixá-la secar por, pelo menos, 48 horas acima de 15 °C e abaixo de 50 °C e com menos de 70% de umidade. Um teor mais alto de umidade pode prolongar o tempo de secagem.


21.6 Instrução normativa

STIHL Tirol GmbH
Hans Peter Stihl-Straße 5
6336 Langkampfen
Áustria

certifica que a máquina, corresponde às prescrições de aplicação das normas IEC 60335-1 e IEC 60335-2-77.

22 Peças de reposição e acessórios

22.1 Peças de reposição e acessórios

STIHL  Estes símbolos identificam as peças de reposição e acessórios originais STIHL.

A STIHL recomenda utilizar peças de reposição originais STIHL e acessórios originais STIHL.

Peças de reposição e acessórios de outros fabricantes não podem ser avaliados pela STIHL em termos de confiabilidade, segurança e adequação, apesar da observação constante do mercado e a STIHL não pode garantir sua utilização.

As peças de reposição e os acessórios originais STIHL podem ser adquiridos em um Ponto de Vendas STIHL.

23 Descarte

23.1 Descartar o cortador de grama e a bateria recarregável

Informações sobre descarte disponíveis na administração local ou em um Ponto de Vendas STIHL.

As baterias recarregáveis podem ser descartadas em um Ponto de Vendas STIHL.

O descarte inadequado pode prejudicar a saúde e poluir o ambiente.

- ▶ Levar os produtos STIHL, mais embalagens, a um ponto de coleta adequado para reciclagem de acordo com a regulamentação local.
- ▶ Não descartar no lixo doméstico.

0458-796-9921-B

INT1



www.stihl.com



0458-796-9921-B